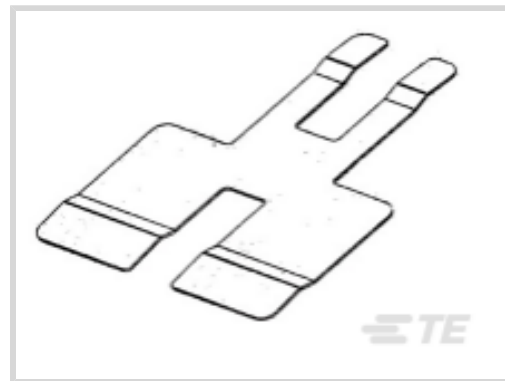




Application Tooling > Portable Crimp Tools



TE Certification: **Cannot be Certified**

Tooling Type: **Insertion/Extraction Tool**

Features

Other

TE Certification	Cannot be Certified
Tooling Type	Insertion/Extraction Tool

Product Compliance

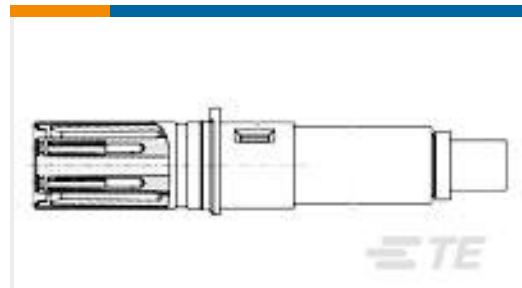
[For compliance documentation, visit the product page on TE.com>](#)

EU RoHS Directive 2011/65/EU	Compliant
EU ELV Directive 2000/53/EC	Compliant
China RoHS 2 Directive MIIT Order No 32, 2016	No Restricted Materials Above Threshold
EU REACH Regulation (EC) No. 1907/2006	Current ECHA Candidate List: JAN 2021 (211) Candidate List Declared Against: JAN 2021 (211) Does not contain REACH SVHC
Halogen Content	Not Yet Reviewed for halogen content
Solder Process Capability	Not applicable for solder process capability

Product Compliance Disclaimer

This information is provided based on reasonable inquiry of our suppliers and represents our current actual knowledge based on the information they provided. This information is subject to change. The part numbers that TE has identified as EU RoHS compliant have a maximum concentration of 0.1% by weight in homogenous materials for lead, hexavalent chromium, mercury, PBB, PBDE, DBP, BBP, DEHP, DIBP, and 0.01% for cadmium, or qualify for an exemption to these limits as defined in the Annexes of Directive 2011/65/EU (RoHS2). Finished electrical and electronic equipment products will be CE marked as required by Directive 2011/65/EU. Components may not be CE marked. Additionally, the part numbers that TE has identified as EU ELV compliant have a maximum concentration of 0.1% by weight in homogenous materials for lead, hexavalent chromium, and mercury, and 0.01% for cadmium, or qualify for an exemption to these limits as defined in the Annexes of Directive 2000/53/EC (ELV). Regarding the REACH Regulation, the information TE provides on SVHC in articles for this part number is based on the latest European Chemicals Agency (ECHA) 'Guidance on requirements for substances in articles' posted at this URL: <https://echa.europa.eu/guidance-documents/guidance-on-reach>

Customers Also Bought



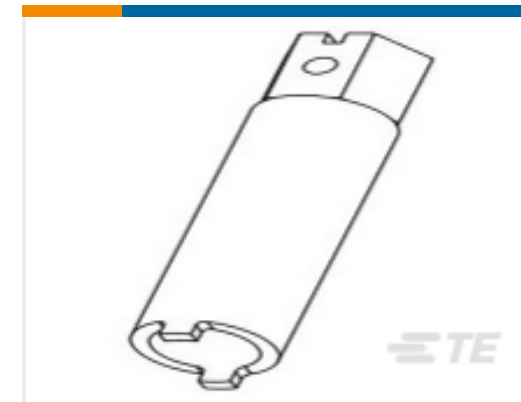
TE Part #1445693-3
SOCKET CONTACT, QUADRAX, SZ8, RR



TE Part #110219-000
CTA-1160



TE Part #1662-213-2031
CONT SOC ASSY



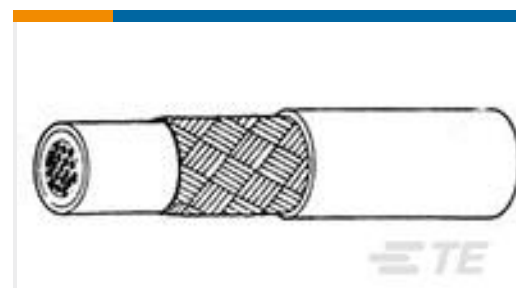
TE Part #1604972-1
WRENCH, SPIGOT, JS & JACK POST



TE Part #2560-215-1631L
CONT PIN



TE Part #226335-000
CTA-0166



TE Part #127491-000
55PC1211-20-9-9CS2502



TE Part #225335-000
55PC1221-22-2/6-9CS2502



TE Part #1617152-6
JMGSPD-26M = M39016/42-044M



TE Part #ZPF0000000000001465
104-0001-05

Documents

Product Drawings

[CTA-0161](#)

English

CAD Files

[3D PDF](#)

3D

Customer View Model

[ENG_CVM_CVM_211137-000_A.2d_dxf.zip](#)

English

Customer View Model

[ENG_CVM_CVM_211137-000_A.3d_igs.zip](#)

English

Customer View Model

[ENG_CVM_CVM_211137-000_A.3d_stp.zip](#)

English



By downloading the CAD file I accept and agree to the [Terms and Conditions](#) of use.

Datasheets & Catalog Pages

Products for Aerospace and Defense

English