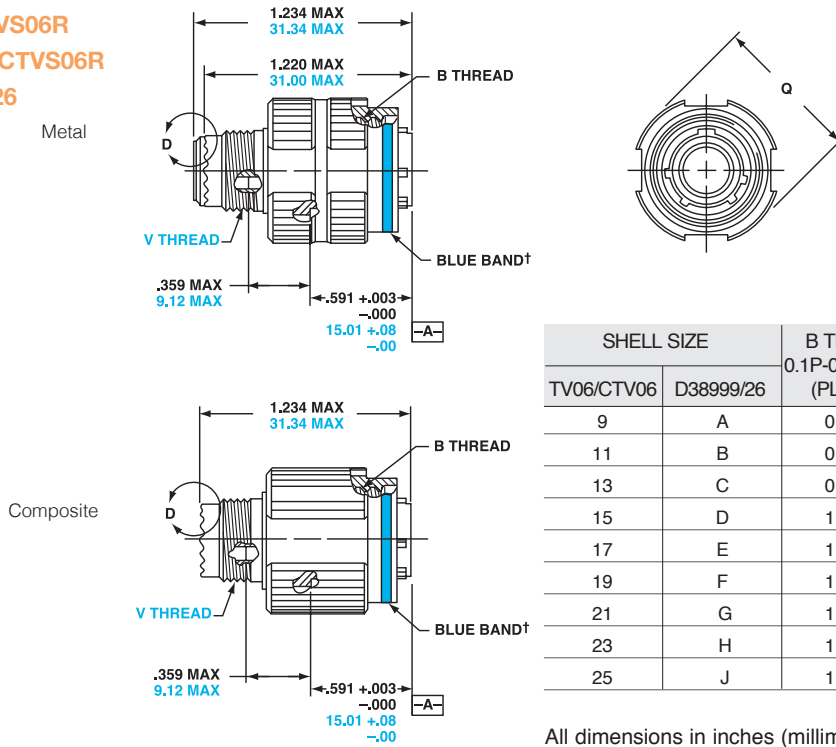


## DIMENSIONS

### PLUGS

**TV06R/TVS06R**  
**CTV06R/CTVS06R**  
**D38999/26**

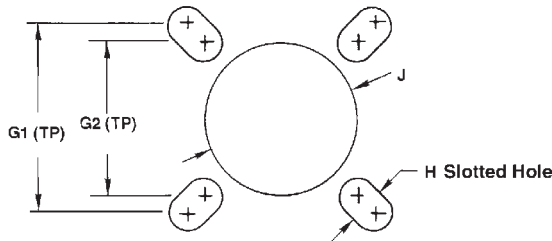


SHELL SIZE		B THREAD	Q	V
TV06/CTV06	D38999/26	0.1P-0.3L-TS-2B (PLATED)	DIAMETER MAX.	THREAD METRIC
9	A	0.6250	.858 (21.80)	M12X1-6g
11	B	0.7500	.984 (25.00)	M15X1-6g
13	C	0.8750	1.157 (29.40)	M18X1-6g
15	D	1.0000	1.280 (32.50)	M22X1-6g
17	E	1.1875	1.406 (35.70)	M25X1-6g
19	F	1.2500	1.516 (38.50)	M28X1-6g
21	G	1.3750	1.642 (41.70)	M31X1-6g
23	H	1.5000	1.768 (44.90)	M34X1-6g
25	J	1.6250	1.890 (48.00)	M37X1-6G

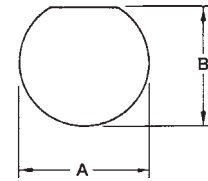
All dimensions in inches (millimeters in parenthesis)

## PANEL CUTOUTS

### WALL MOUNT RECEPTACLE



### JAM NUT RECEPTACLE



Shell Size		D38999/20 & TV/CTV Wall Mount				
D38999	TV/CTV	G1	G2	H Diameter +.005 (+.130) -.000 (.000)	Front Mount J Min.	Back Mount J Min.
A	9	.719 (18.26)	.59 (15.09)	.130 (3.25)	.516 (13.11)	.656 (16.66)
B	11	.81 (20.62)	.71 (18.26)	.130 (3.25)	.625 (15.88)	.796 (20.22)
C	13	.91 (23.01)	.81 (20.62)	.130 (3.25)	.750 (19.05)	.922 (23.42)
D	15	.97 (24.61)	.90 (23.01)	.130 (3.25)	.906 (23.01)	1.047 (26.59)
E	17	1.06 (26.97)	.96 (24.61)	.130 (3.25)	1.016 (25.81)	1.219 (30.96)
F	19	1.16 (29.36)	1.06 (26.97)	.130 (3.25)	1.141 (28.98)	1.297 (32.94)
G	21	1.25 (31.75)	1.15 (29.36)	.130 (3.25)	1.266 (32.16)	1.422 (36.12)
H	23	1.38 (34.93)	1.25 (31.75)	.155 (3.94)	1.375 (34.93)	1.547 (34.93)
J	25	1.50 (38.10)	1.37 (34.93)	.155 (3.94)	1.484 (37.69)	1.672 (42.47)

D38999/24 & TV/CTV Jam Nut	
A	B
+0.010 (+.025) -.000 (.000)	+0.000 (000) -.010 (-.025)
.693 (17.60)	.657 (16.70)
.825 (20.96)	.770 (19.59)
1.010 (25.65)	.955 (24.26)
1.135 (28.83)	1.085 (27.56)
1.260 (32.01)	1.210 (30.73)
1.385 (35.18)	1.335 (33.91)
1.510 (38.35)	1.460 (37.08)
1.635 (41.53)	1.585 (40.29)
1.760 (44.70)	1.710 (43.43)

All dimensions in inches (millimeters in parenthesis)

## PANEL THICKNESS

#### WALL MOUNT RECEPTACLE

D38999/20 Rear Mount .125" (3.18) Max.

#### JAM NUT RECEPTACLE

D38999/24 Jam Nut  
 .125" (3.18) Max./0.062" (1.57) Min.