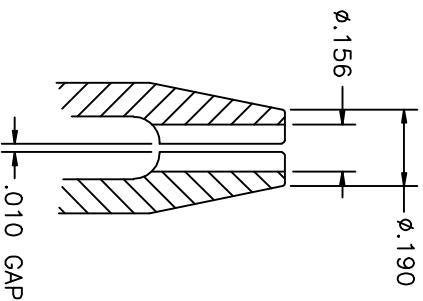
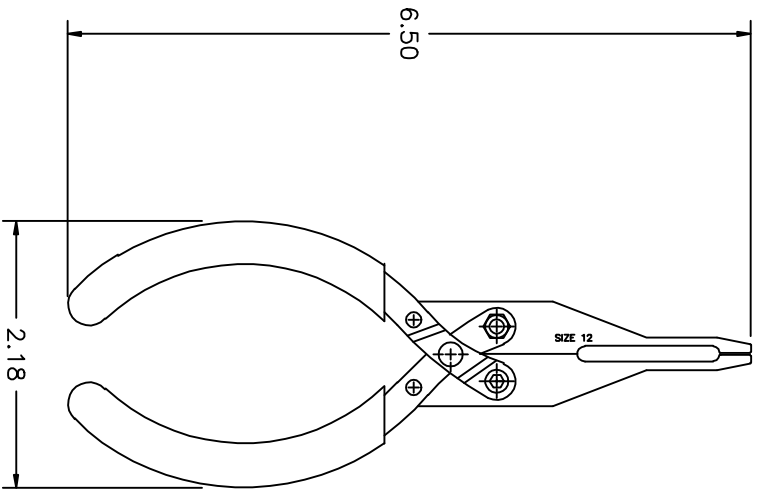


REVISIONS				
REV. SYM.	NUMBER	DESCRIPTION	BY DATE	APP'D DATE
1		ORIGINAL RELEASE	DMC/08	5/20/08
2		ADDED NOTE 2.	AM/05	1/17/05
3	21481	COMPARABLE TO* WAS "FUNCTIONAL EQUIVALENT" (Z PLS)	KDH	10/20/09

UNCONTROLLED DOCUMENT  
WILL NOT BE UPDATED



RESTRICTED & CONFIDENTIAL		MATERIAL		ITEM		PART NO.		QTY.		DESCRIPTION/REMARKS	
CONFIDENTIAL PROPERTY OF DANIELS MANUFACTURING CORP. NOT TO BE DISCLOSED TO OTHERS. REPRODUCED OR USED FOR ANY OTHER PURPOSE, EXCEPT AS AUTHORIZED IN WRITING BY DANIELS MANUFACTURING MANUFACTURING CORP. ON COMPLETION OF ORDER OR OTHER PURPOSE FOR WHICH LENT.		HEAT TREAT		DRW.	LME	DATE	5/28/08			<b>DMC</b> DANIELS MANUFACTURING CORP. ORLANDO, FLORIDA CAGE 11851	
		FINISH		CHK'D.	MGS	DATE	5/28/08				
DO NOT SCALE DRAWING		NOTE:		APPR'D.	KR	DATE	5/29/08			WHERE USED: SIZE SCALE B NTS CAD P/N DAK168-12-ENV SHEET 1 OF 1 DWG. NO. DAK168-12-ENV REV. 3 DAK168-12-ENV	
		THIS DRAWING IS AN OUTLINE DRAWING OF THE RESPECTIVE INDICATED PART NUMBERING PART NUMBER IS DRAWING NUMBER WITHOUT THE "-ENV" SUFFIX.		APPR'D.		DATE					

2. COMPARABLE TO: ASTRO ATBX1-7082.
1. COMPARABLE TO: BENDIX 11-7082.
- NOTES: