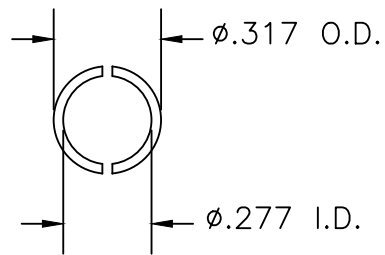
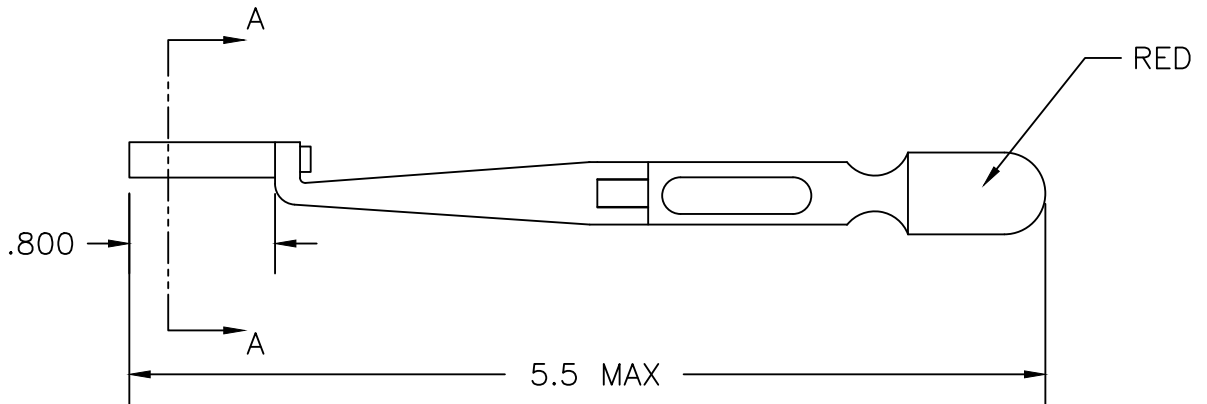


REVISIONS				
REV. SYM.	E.C.O. NUMBER	DESCRIPTION	BY DATE	APP'D DATE
1		ORIGINAL RELEASE	KMS 7/2/87	MM 7/2/87



VIEW A-A



1. FUNCTIONAL EQUIVALENT TO M81969/46-06

**UNCONTROLLED DOCUMENT  
WILL NOT BE UPDATED**

<b>RESTRICTED &amp; CONFIDENTIAL</b> <small>CONFIDENTIAL PROPERTY OF DANIELS MANUFACTURING CORP. NOT TO BE DISCLOSED TO OTHERS, REPRODUCED OR USED FOR ANY OTHER PURPOSE, EXCEPT AS AUTHORIZED IN WRITING BY DANIELS MANUFACTURING. MUST BE RETURNED TO DANIELS MANUFACTURING CORP. ON COMPLETION OF ORDER OR OTHER PURPOSE FOR WHICH LENT.</small>		ITEM	PART NO.	QTY.	DESCRIPTION/REMARKS
		DRN.	KMS	DATE 7/2/87	<b>DANIELS MANUFACTURING CORP.</b> ORLANDO, FLORIDA CAGE 11851
CHK'D.	MM	DATE 7/2/87			
APP'D.		DATE			
APP'D.		DATE			
<b>DO NOT SCALE DRAWING</b>		NOTE: THIS DRAWING IS AN OUTLINE DRAWING OF THE RESPECTIVE DMC PART NUMBER INDICATED. ACTUAL DMC PART NUMBER IS DRAWING NUMBER WITHOUT THE "-ENV" SUFFIX.		TITLE <b>#8 INSTALLING TOOL ENVELOPE DRAWING</b>	
		WHERE USED: SIZE <b>B</b> SCALE <b>NTS</b> CAD P/N <b>DAK264-8-ENV</b> SHEET OF <b>1</b> OF <b>1</b>		POSTING DWG. NO. <b>DAK264-8-ENV</b> REV. <b>1</b>	