

RUGGED HIGH-SPEED STRIPS

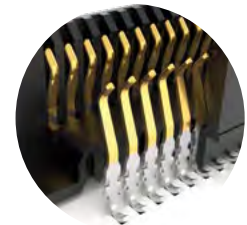


| | |
|------------|------------|
| NRZ | PAM4 |
| 28 Gbps | 56 Gbps |

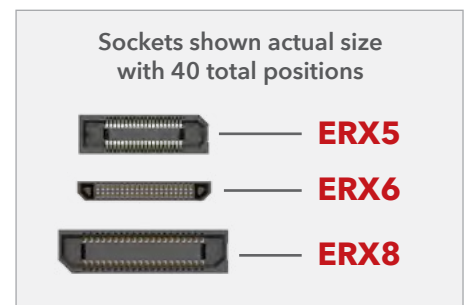
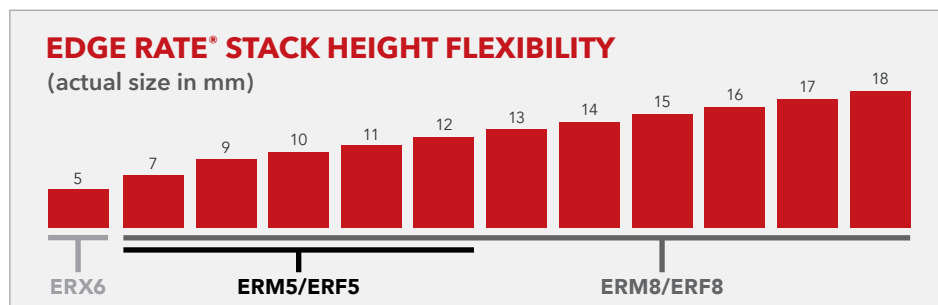
FEATURES & BENEFITS

Edge Rate® rugged high-speed connector strips are designed for high speed, high cycle applications, and enabled by Samtec's signal integrity-optimized Edge Rate® contact system.

- Choice of 0.50 mm, 0.635 mm or 0.80 mm pitch
- 0.50 mm pitch system offers up to 40% PCB space savings vs. 0.80 mm pitch
- 0.635 mm pitch system with extremely slim 2.5 mm body width
- Rugged latching, locking and 360° shielding
- Up to 1.5 mm contact wipe; robust when "zippered" during unmating
- Compatible with UMPT/UMPS for power/signal flexibility



Signal integrity-optimized Edge Rate® contact system reduces broadside coupling




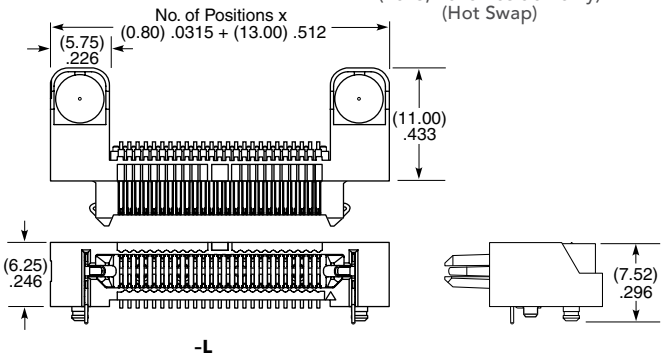
KEY SPECIFICATIONS

| SERIES | PITCH | STACK HEIGHTS | TOTAL PINS / PAIRS | INSULATOR MATERIAL | TERMINAL MATERIAL | PLATING | OPERATING TEMP RANGE | LEAD-FREE SOLDERABLE |
|-------------|----------|---------------|--------------------|--------------------|---|----------------------------------|----------------------|----------------------|
| ERM5 / ERF5 | 0.50 mm | 7-12 mm | 20-150 | Black LCP | Phosphor Bronze or BeCu (ERM5), BeCu (ERF5) | Au or Sn over 50 μ" (1.27 μm) Ni | -55 °C to +125 °C | Yes |
| ERM6 / ERF6 | 0.635 mm | 5 mm | 20-120 | | Copper Alloy | | | |
| ERM8 / ERF8 | 0.80 mm | 7-18 mm | 10-200 | | Phosphor Bronze or BeCu (ERM8), BeCu (ERF8) | | | |

(0.80 mm) .0315" PITCH • RIGHT-ANGLE & EDGE MOUNT HIGH-SPEED HEADERS

| ERM8 | POSITIONS PER ROW | 01 | PLATING OPTION | D | RA | OPTIONS | "X"R |
|----------------------|--|----|---|---|----|---|---|
| Right-Angle Terminal | -010, -013, -020, -025, -030, -040, -049, -050, -060, -070, -075 | | -L = 10 μm (0.25 μm) Gold on contact area, Matte Tin on tail | | | -K = (6.00 mm) .236" DIA Polyimide Film Pick & Place Pad -L = Latching -DS = Differential Pair (-013, -025 Position only) (Hot Swap) | -TR = Tape & Reel -FR = Full Reel Tape & Reel (must order maximum quantity per reel; contact Samtec for quantity breaks) |

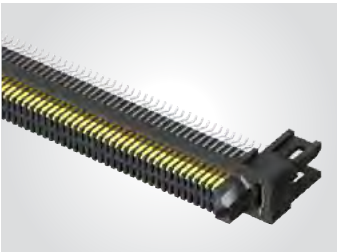
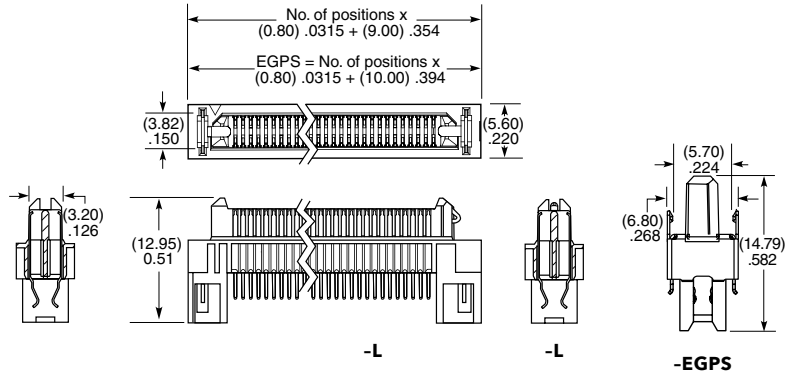
ERM8-RA
Board Mates: ERF8
Cable Mates: ERCD

View complete specifications at: samtec.com?ERM8-RA

| ERM8 | POSITIONS PER ROW | 01 | PLATING OPTION | D | EM2 | OPTIONS | "X"R |
|---------------------|--|----|---|---|-----------------------------|--|---|
| Edge Mount Terminal | -010, -013, -020, -025, -030, -040, -049, -050, -060, -070, -075 | | -L = 10 μm (0.25 μm) Gold on contact area, Matte Tin on tail | | = (1.60 mm) .062" Thick PCB | -L = Latching (Mates to ERF8 Lead Style -05.0 or -RA Only) -DS = Differential Pair (-013 & -025 Position only) (Hot Swap) -EGPS = Extended Guide Post Shield (-010, -020, -025, -030 Position Only) -DSS = Differential Pair + Extended Guide Post Shield (-025 Position Only) (Hot Swap) | -TR = Tape & Reel -FR = Full Reel Tape & Reel (must order maximum quantity per reel; contact Samtec for quantity breaks) |

ERM8-EM
Board Mates: ERF8
Cable Mates: ERCD

View complete specifications at: samtec.com?ERM8-EM

Note:
Some lengths, styles and options are non-standard, non-returnable.