

SUMMARY

Wires

| | |
|------------------|--------------------------------|
| Coax | 1 |
| Series | 01 |
| Termination type | Male solder |
| IP rating | 50 |
| AWG wire size | 0.00 - 0.00 |
| Cable Ø | 0.00 - 0.00 mm |
| Status | active |
| Matching parts | ERA.01.250.DLL |



Image is for illustrative purpose only

Download

[Request a quote](#)

[Catalog](#)

TECHNICAL DETAILS

Mechanics

| | |
|-------------------|--|
| Shell Style/Model | FLS.01*: Elbow plug, for cable crimping |
| Keying | Circular, male |
| Housing Material | Brass (gold plated [ISO 27874]) shell, collet nut, brass latch sleeve and mid pieces |
| Weight | 2.28 g |

Performance

| | |
|---------------|--------------------------|
| Configuration | 01.250 : 1 Coax (50 Ohm) |
| Insulator | |
| Rated Current | |

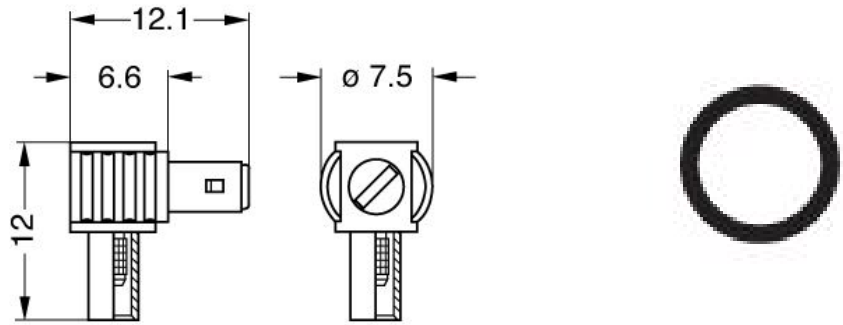
Specifications

Contact Type: Solder

Others

Endurance (Shell): 1000 mating cycles

DRAWINGS



Dimensions

| | A | H | L | M |
|-----|------|------|------|------|
| mm. | 7.5 | 12 | 12.1 | 6.6 |
| in. | 0,30 | 0,47 | 0,48 | 0,26 |

RECOMMENDED BY LEMO

Tools

LEMO products and services are provided "as is". LEMO makes no warranties or representations with regard to LEMO product & services or use of them, express, implied or statutory, including for accuracy, completeness, or security. The user is fully responsible for his products and applications using LEMO components.