

Proximity Magnetic Sensors Cylindrical Body, FMM Series

CARLO GAVAZZI



- Cylindrical case
- Stainless steel body
- M8 diameter
- NO or CO output functions
- Front side switching

Product Description

The cylindrical proximity magnetic sensors of the FMM series are characterized by stainless steel body and small dimensions. They also can be mounted directly on ferromagnetic supports.

Ordering Key

FMM.A.3

Type _____
Output Function _____
Reed Contact Type _____

Type Selection

Output function	References
NO	FMM.A.3
NO	FMM.A.6
Change-over	FMM.S.1

General specification

Case	
FMM.A.3, FMM.S.1	Stainless steel
FMM.A.6	Nichet plated brass
Protection degree	IP67
Operating temperature	-25 to +70°C
Output connection	PVC Cable L = 2 m

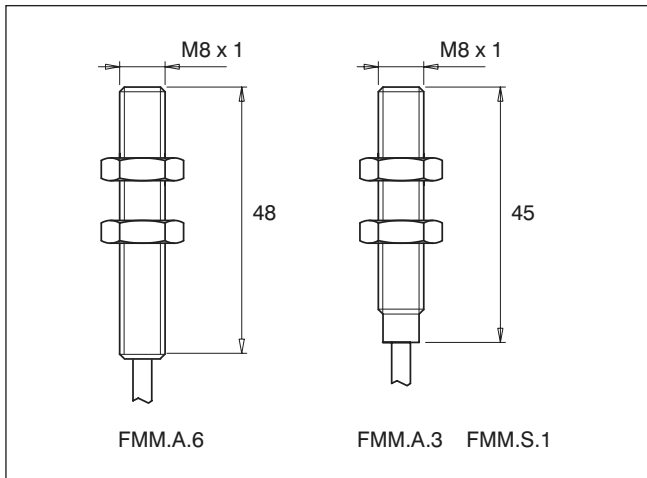
Electrical specifications

Contacts	3	S.1	6
Max switching voltage	500 Vac	100 Vac	100 VAC
Max switching current	0,5 A	0,25 A	0,5 A
Max switching power	10 VA	5 VA	10 VA

Operating distance

Operating distances	CL.10	CL.11	CL.18	CL.20/S1	CL.20/S3	CL.23	CL.31
FMM.S.1	8	-	8	17	16	16	23
FMM.A.3	10	-	10	20	19	18	27
FMM.A.6	-	-	-	-	-	13	-

Dimensions



Wiring Diagrams

