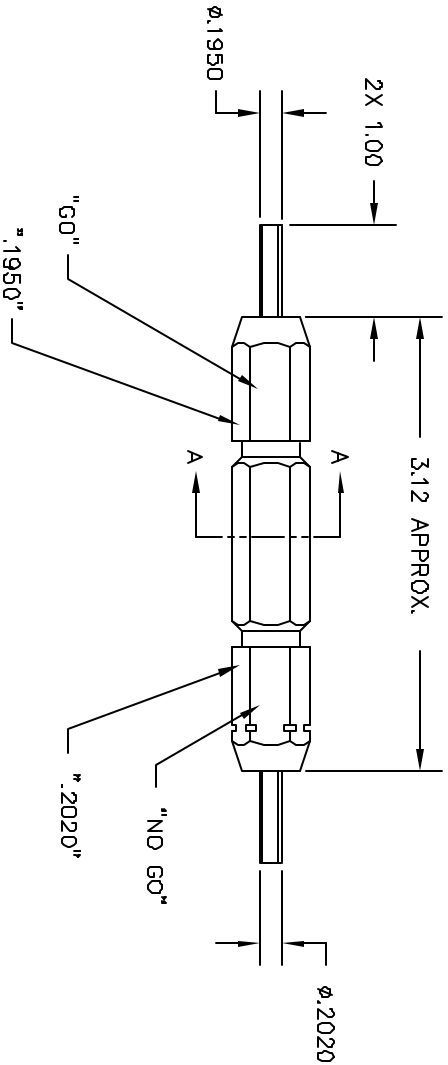
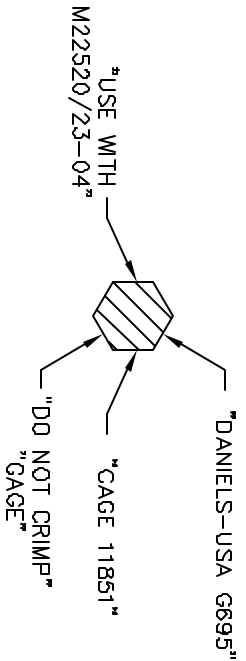


REVISIONS			
REV.	BY	DATE	APP'D
1	STR.	11/27/89	11/27/89



**UNCONTROLLED DOCUMENT  
WILL NOT BE UPDATED**

<p style="text-align: center;"><b>RESTRICTED &amp; CONFIDENTIAL</b></p> <p style="text-align: center; font-size: small;">CONFIDENTIAL PROPERTY OF DANIELS MANUFACTURING CORP. NOT TO BE REPRODUCED OR USED FOR ANY OTHER PURPOSE EXCEPT AS AUTHORIZED IN WRITING BY DANIELS MANUFACTURING. ALL RIGHTS RESERVED TO DANIELS MANUFACTURING. NO PART OF THIS DRAWING IS TO BE REPRODUCED OR USED FOR ANY OTHER PURPOSE WITHOUT THE WRITING OF DANIELS MANUFACTURING.</p>		MATERIAL		ITEM		PART NO.		QTY.		DESCRIPTION/REMARKS	
		HEAT TREAT		DRN. J. JOYCE G695		DATE 1/4/89				DANIELS MANUFACTURING CORP. ORLANDO, FLORIDA CAGE 11851	
FINISH		APPRO. DATE		DATE		DATE		TITLE		WHOLE USDC	
DO NOT SCALE DRAWING								GO/NO-GO GAGE ENVELOPE DRAWING		CAD P/N G695-ENV	
		DATE		DATE		DATE		SCALE		SHEET OF	
								B NTS		1 1	
								P/N		REV	
								G695-ENV		1	