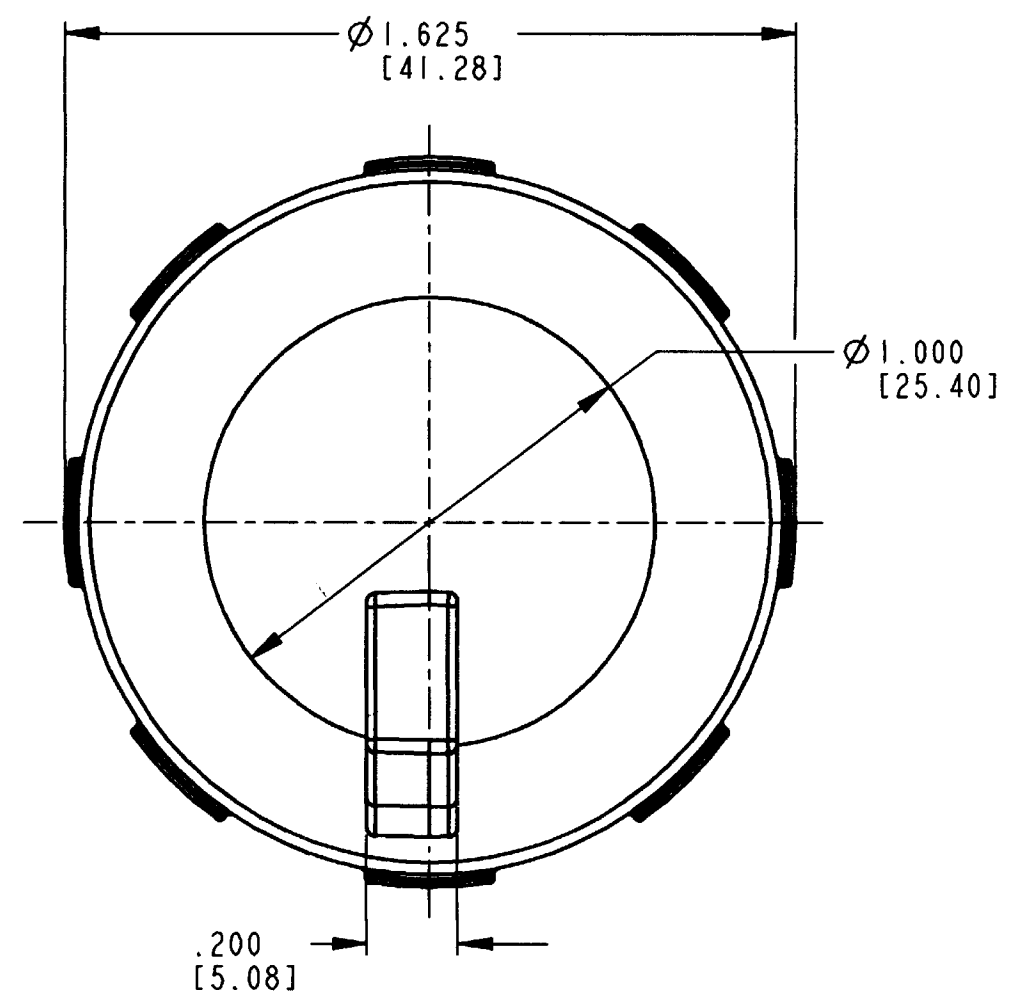
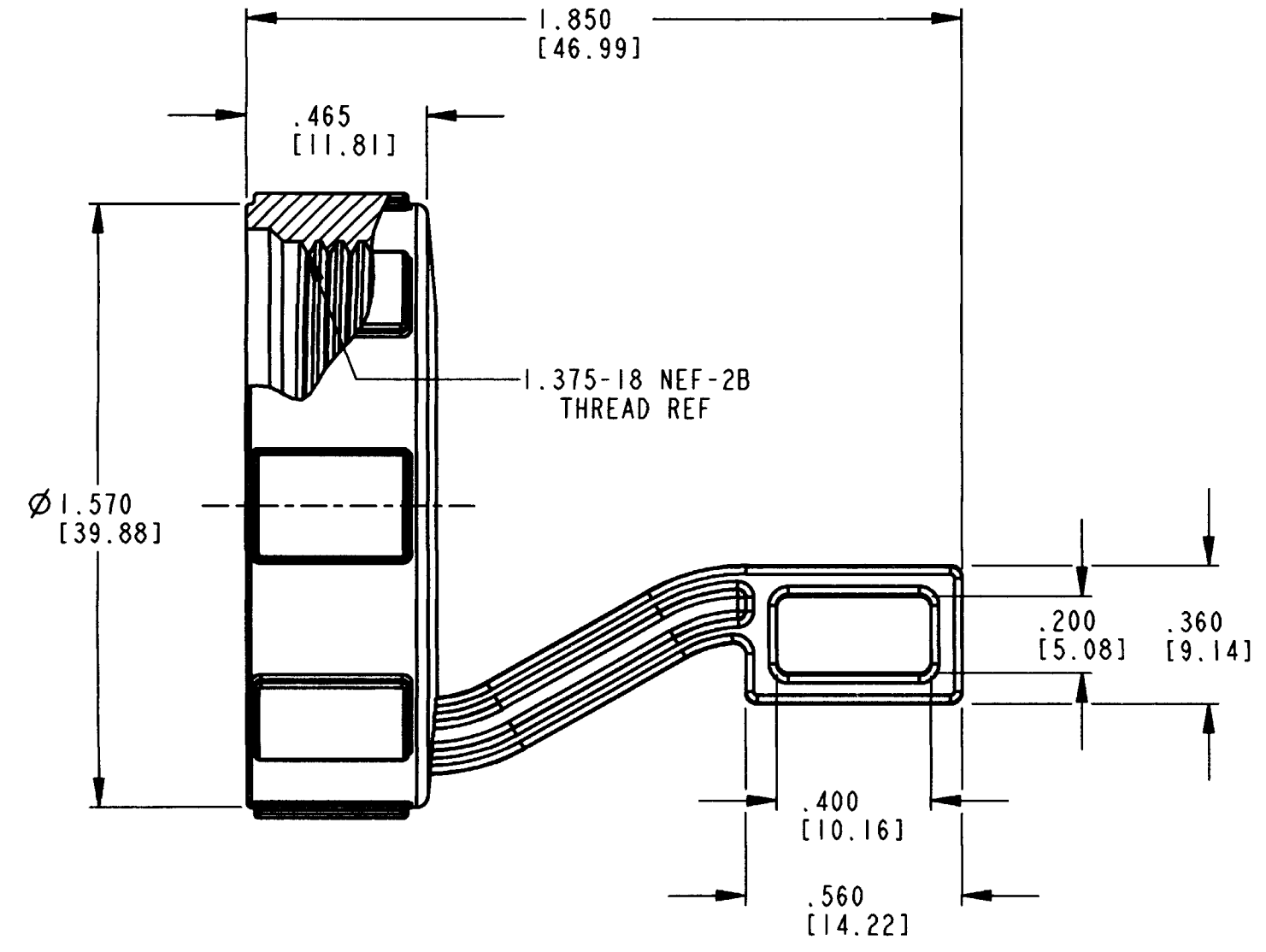


REV  
E HD18-009

REVISIONS			
SYM	DESCRIPTION	DATE	APPROVED
D	REVISED AND REDRAWN PER E.O. A13795	04/30/92	J.R.A.
E	REVISED PER E.O. P17063	1/9/01	DM



- NOTES:
1. ALL DIMENSIONS ARE IN INCHES [MILLIMETERS].
  2. ALL DIMENSION TOLERANCES ARE  $\pm .025$  [0.63].
  3. MATERIAL: PLASTIC; COLOR: GRAY.
  4. THE FOLLOWING PARTS WILL ACCEPT THIS BACKSHELL:  
HD10-4-4P, HD16-4-4S, HD10-9-96P, HD14-9-96P, HD16-9-96S

SIGNATURE & DATE	
DR	J. NORRIS 30APR92
CHK	D Meyer 1/5/01
PE	Spencer 1-4-01
APPD	D Meyer 1/9/01
SCALE	NONE

BACK SHELL  
HD10 SERIES  
SIZE 9

ENVELOPE

CP	MATL. CODE
<b>The Deutch Company</b> DEUTSCH I.P.D. 3850 INDUSTRIAL AVE. HEMET, CALIF. 92545	
<b>B</b>	<b>HD18-009</b>
DWG SIZE	CODE 11139 SHEET   OF