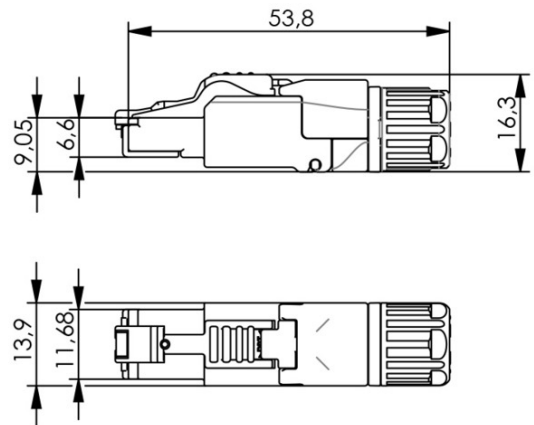


order number: J00026A5001

field assembly RJ45 plug MFP8 IE T568 B Cat.6_A; AWG24/1-AWG22/1, AWG27/7-AWG22/7



Fig. may differ



Technical Attributes	
Short name	MFP8 IE T568 B Cat.6 _A
Remarks	AWG 24/1-22/1, AWG 27/7-22/7, incl. pre-assembled protection cap

Performance Characteristics

- pre-assembled protection cap
- robust zinc diecast housing
- mounting on DIN rail TH35 by means of adaptors (J06000A0056)
- full metal shielding between pairs of wires
- can be assembled in 60 seconds without any special tools
- optimised for the field, including demanding applications
- secure transmission even with outside interference
- four-chamber wire manager (available with colour code T568A or T568B and PROFINET)
- suitable for cabling in office buildings, data centers, industrial facilities and home networks
- supreme reliability
- ideal for network repairs, special lengths and extensions
- piercing contacts suitable for solid and stranded conductors

- piercing contacts suitable for solid and stranded conductors

Mechanical Characteristics	
Core Diameter	1,0 - 1,6 mm
Durability (Matings)	≥ 750
Mating Requirements Cu-Conductor diameter: solid	0.51 - 0.64 mm (AWG24/1-22/1)
Mating Requirements Cu-Conductor diameter: stranded	0.61 - 0.78 mm (AWG24-22/19)
Cu-Conductor diameter: solid	0.51 - 0.64 mm (AWG24/1-22/1)
Mating Requirements Cu-Conductor diameter: stranded	0.61 - 0.78 mm (AWG24-22/19)
Insertion force	≤ 30 N
Reusable contacts	≤10 cycles
Cu-Conductor diameter: stranded	0.61 - 0.78 mm (AWG24-22/19)
Overall cable diameter	5,5 - 10,0 mm
Material: contacts	Federstahl
Material: piercing contacts	phosphor bronze tinned
Material: uplock hook	PBT UL94 V0
Material: cable clamp	PBT UL94 V0
Material: PCB	FR4 UL 94 V0
Material: contacts	phosphor bronze tinned
Material: shield contact	brass, nickel-plated
Material: wire pair presorting	PC UL94 V0 white
	PBT UL94 V0
Material: shielding housing	zinc diecast, nickel-plated
Material: protection cap	PBT UL94 V0
Climatic Characteristics	
UL	E244889
Temperature range [°C]	-40/ 85

Electrical Characteristics	
PoE+ acc to IEEE 802.3at	Adequate for Power over Ethernet+
Current carrying capacity at 50°C	1 A

Standards	
Connectors	IEC 60603-7-51

10 Gigabit Ethernet acc. to IEEE 802.3an	Adequate for 10 Gigabit Ethernet