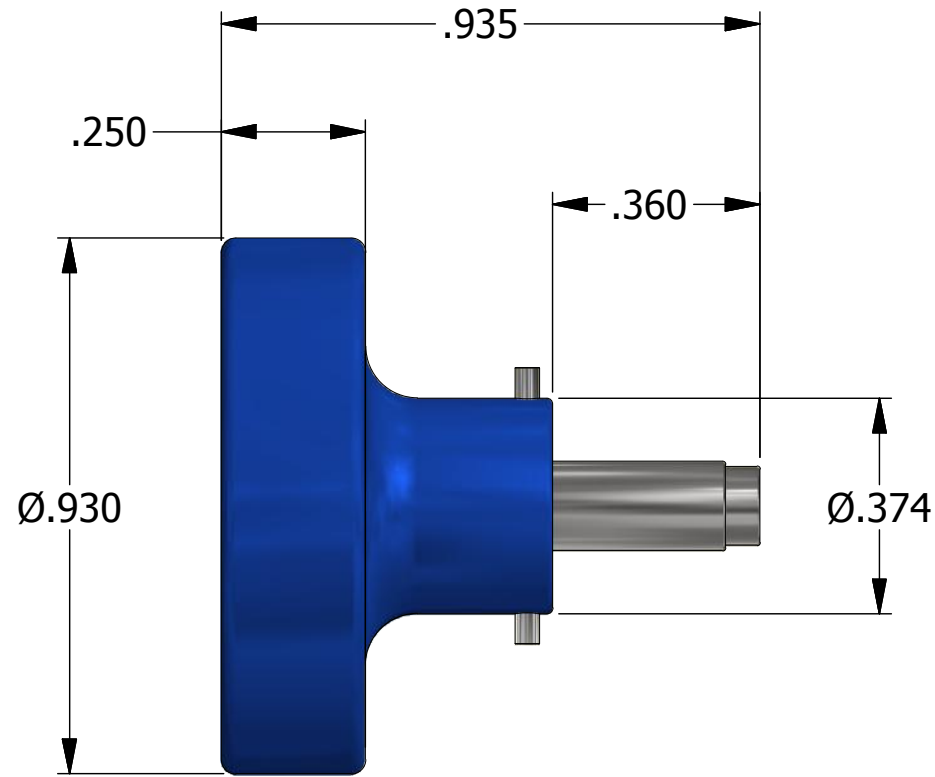
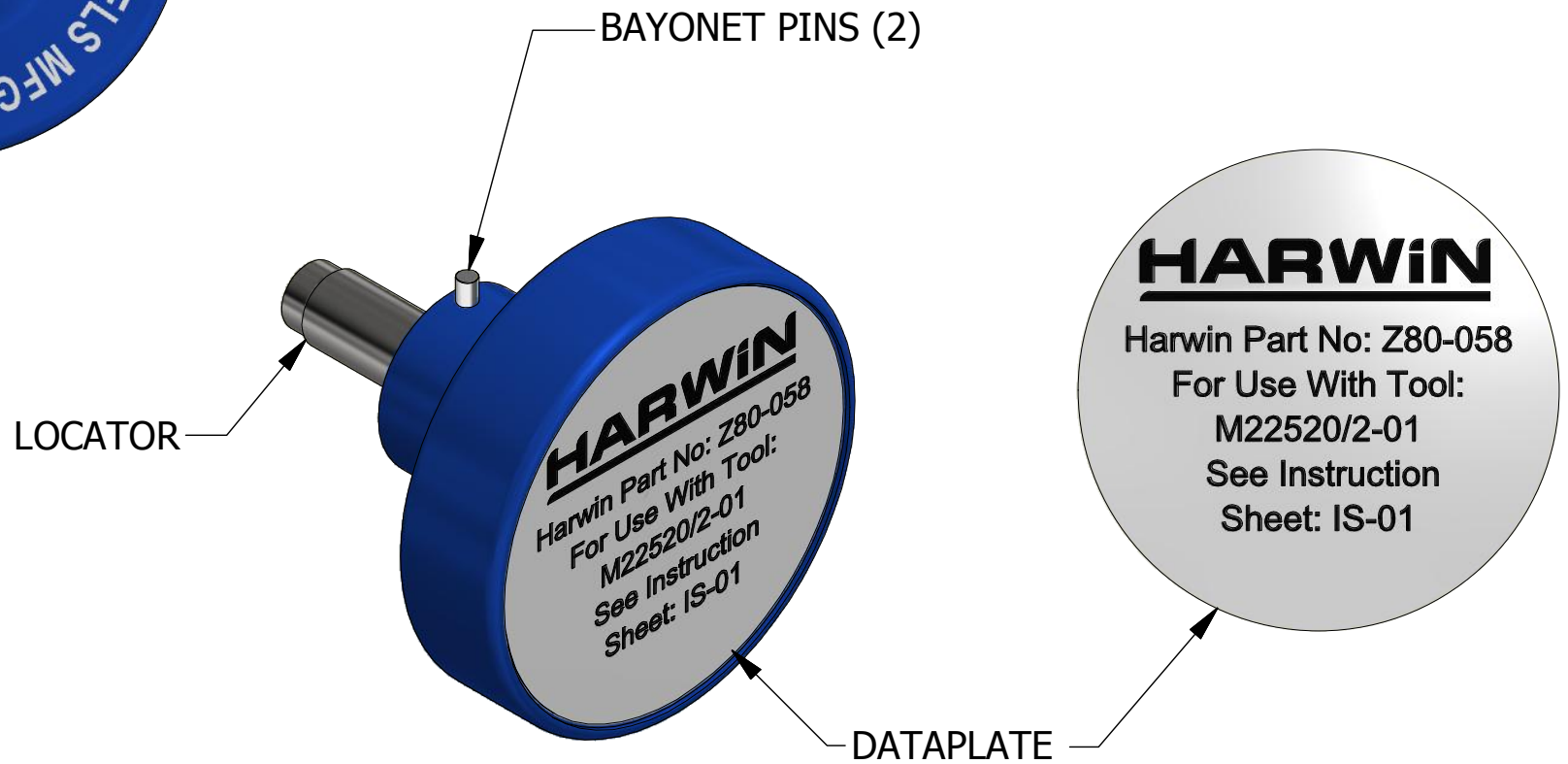


REVISIONS

REV	ECO NO.	DESCRIPTION	BY	DATE	APP'D BY	DATE
1	24052	ORIGINAL RELEASE	TonyD	11/17/2015		



**UNCONTROLLED DOCUMENT  
WILL NOT BE UPDATED**  
DIMENSIONS IN INCHES - UNLESS OTHERWISE SPECIFIED



LOCATOR	
HOLE DIMENSIONS	ADDITIONAL FEATURES
Ø.097 ▽.226	

MATERIAL	ITEM	PART NO.	QTY.	DESCRIPTION / REMARKS												
N/A	DRN. Tony Dilworth CHK'D.	DATE 10/19/2015 DATE		<b>DMC</b> DANIELS MANUFACTURING CORP. ORLANDO, FLORIDA CAGE 11851												
RESTRICTED & CONFIDENTIAL CONFIDENTIAL PROPERTY OF DANIELS MANUFACTURING CORP. NOT TO BE DISCLOSED TO OTHERS. REPRODUCTION OR USED FOR ANY OTHER PURPOSE EXCEPT AS AUTHORIZED IN WRITING BY DANIELS MANUFACTURING. MUST BE RETURNED TO DANIELS MANUFACTURING CORP. ON COMPLETION OF ORDER OR PURPOSES FOR WHICH LENT.		HEAT TREAT	N/A	<b>NOTE:</b> THIS DRAWING IS AN OUTLINE DRAWING OF THE RESPECTIVE DMC PART NUMBER INDICATED. ACTUAL DMC PART NUMBER IS CAD PART NUMBER WITHOUT THE "-ENV" SUFFIX  <b>POSITIONER ENVELOPE DRAWING</b> WHERE USED: AFM8 <table border="1"> <tr> <td>SIZE</td> <td>SCALE</td> <td>CAD P/N</td> <td>SHEET</td> </tr> <tr> <td>B</td> <td>3 : 1</td> <td>K1963-ENV</td> <td>1 OF 1</td> </tr> <tr> <td colspan="3">DWG. NO. K1963</td> <td>REV. 1</td> </tr> </table>	SIZE	SCALE	CAD P/N	SHEET	B	3 : 1	K1963-ENV	1 OF 1	DWG. NO. K1963			REV. 1
SIZE	SCALE	CAD P/N	SHEET													
B	3 : 1	K1963-ENV	1 OF 1													
DWG. NO. K1963			REV. 1													
CREATED FROM AN INVENTOR MODEL. CHANGES MUST BE REFLECTED IN THE 3D PART		FINISH	N/A													
DO NOT SCALE DRAWING																