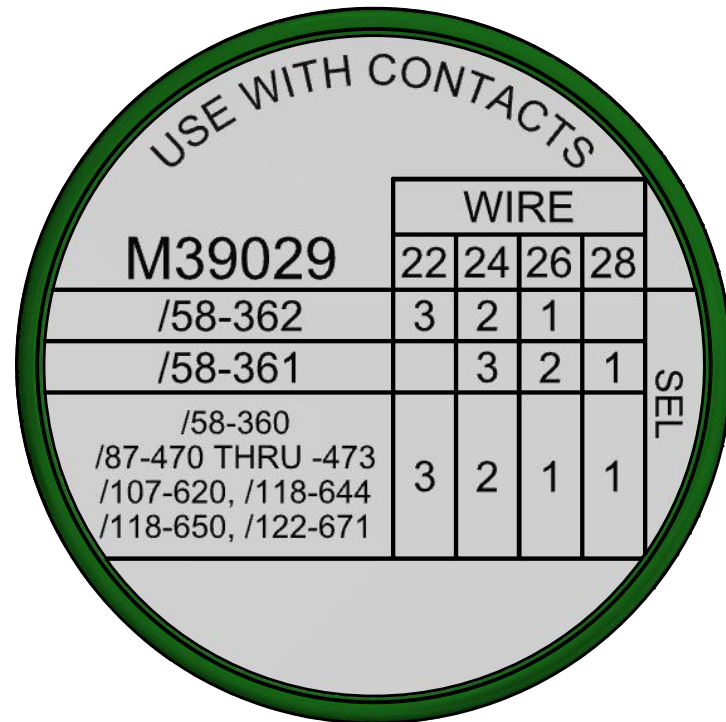


**UNCONTROLLED DOCUMENT
WILL NOT BE UPDATED**

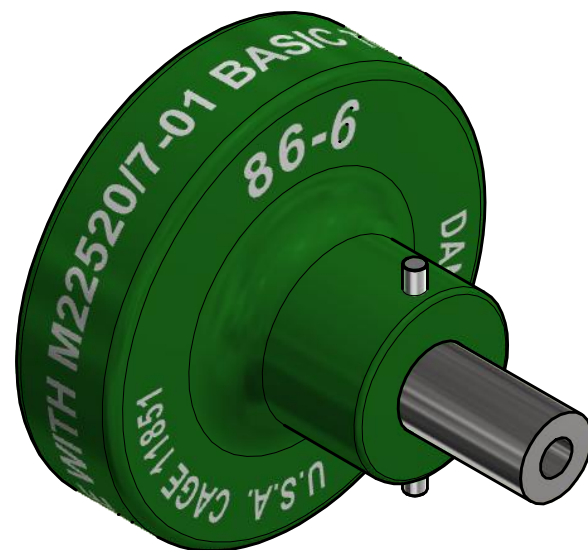
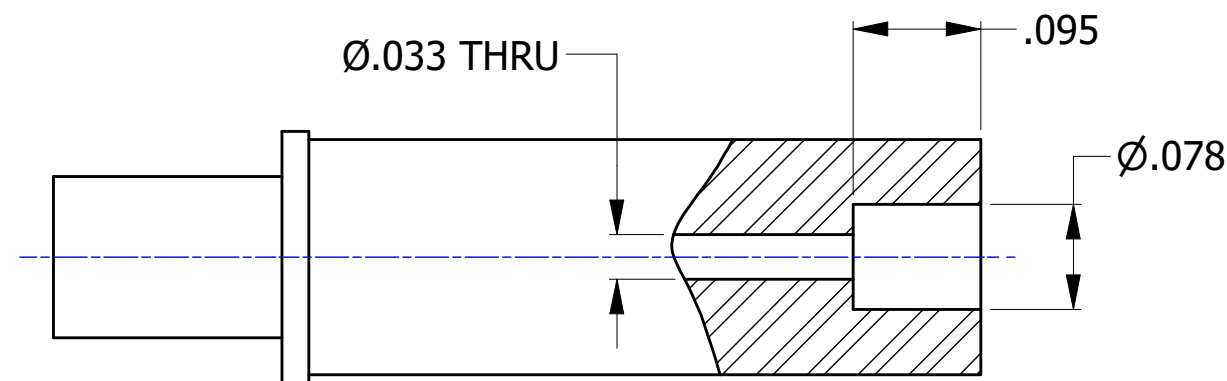
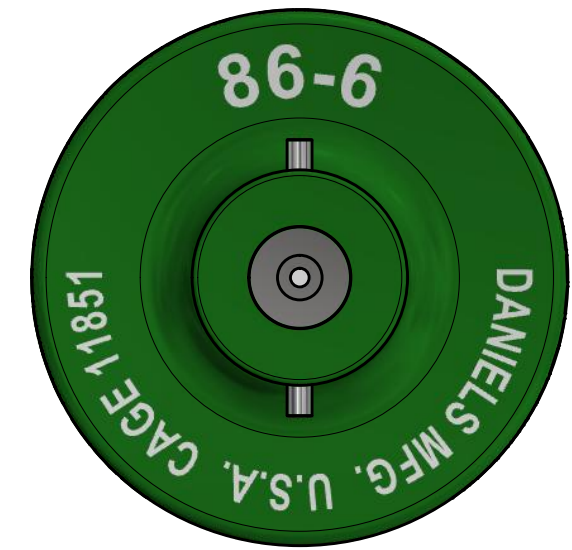
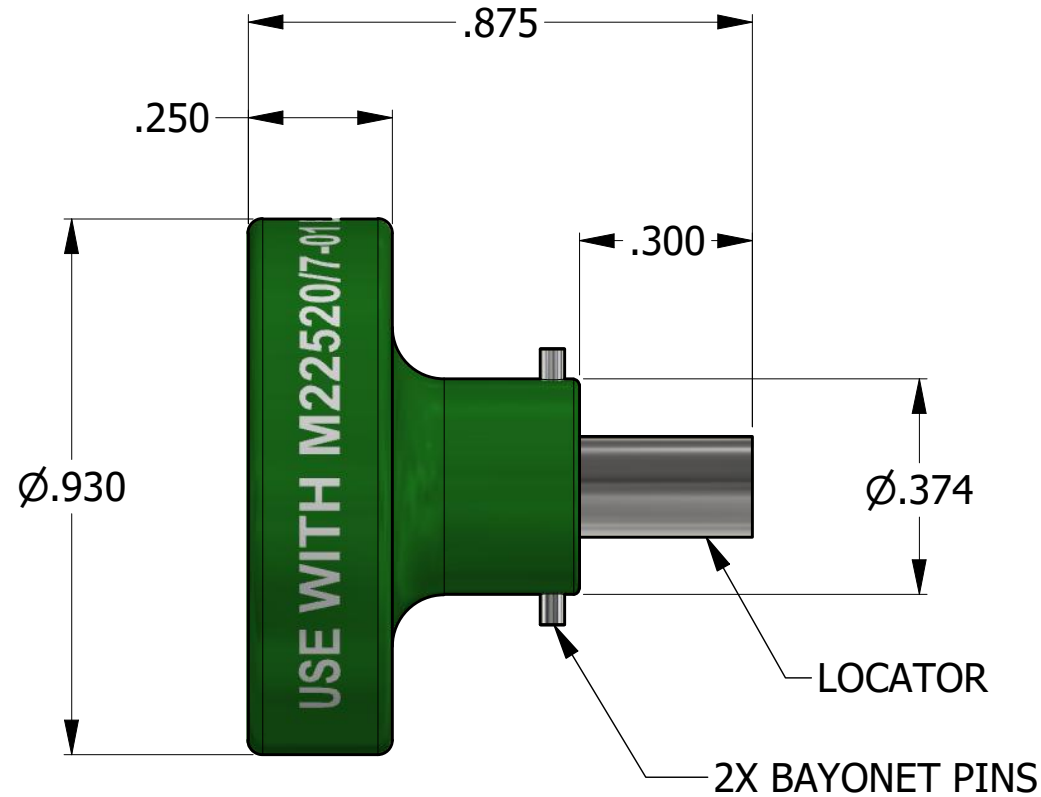
DIMENSIONS IN INCHES - UNLESS OTHERWISE SPECIFIED

REVISIONS

REV	ECO NO.	DESCRIPTION	BY	DATE	APP'D BY	DATE
1		ORIGINAL RELEASE	DUNG CAO	8/18/1995	DD	8/18/1995
2	25000	DATAPLATE UPDATED	TonyD	8/24/2020		



DATAPLATE



MATERIAL	ITEM	PART NO.	QTY.	DESCRIPTION / REMARKS
N/A	DRN. DUNG CAO CHK'D.	DATE 8/18/1995 DATE		DMC DANIELS MANUFACTURING CORP. ORLANDO, FLORIDA CAGE 11851
RESTRICTED & CONFIDENTIAL CONFIDENTIAL PROPERTY OF DANIELS MANUFACTURING CORP. NOT TO BE DISCLOSED TO OTHERS. REPRODUCTION OR USED FOR ANY OTHER PURPOSE EXCEPT AS AUTHORIZED IN WRITING BY DANIELS MANUFACTURING. MUST BE RETURNED TO DANIELS MANUFACTURING CORP. ON COMPLETION OF ORDER OR PURPOSES FOR WHICH LENT.	HEAT TREAT	N/A		NOTE: THIS DRAWING IS AN OUTLINE DRAWING OF THE RESPECTIVE DMC PART NUMBER INDICATED. ACTUAL DMC PART NUMBER IS CAD PART NUMBER WITHOUT THE "-ENV" SUFFIX
CREATED FROM AN INVENTOR MODEL. CHANGES MUST BE REFLECTED IN THE 3D PART	FINISH	N/A		TITLE POSITIONER (M22520/7-07) ENVELOPE DRAWING WHERE USED: MH860
DO NOT SCALE DRAWING				SIZE B SCALE 3:1 CAD P/N 86-6-ENV SHEET 1 OF 1 DWG. NO. 86-6 REV. 2