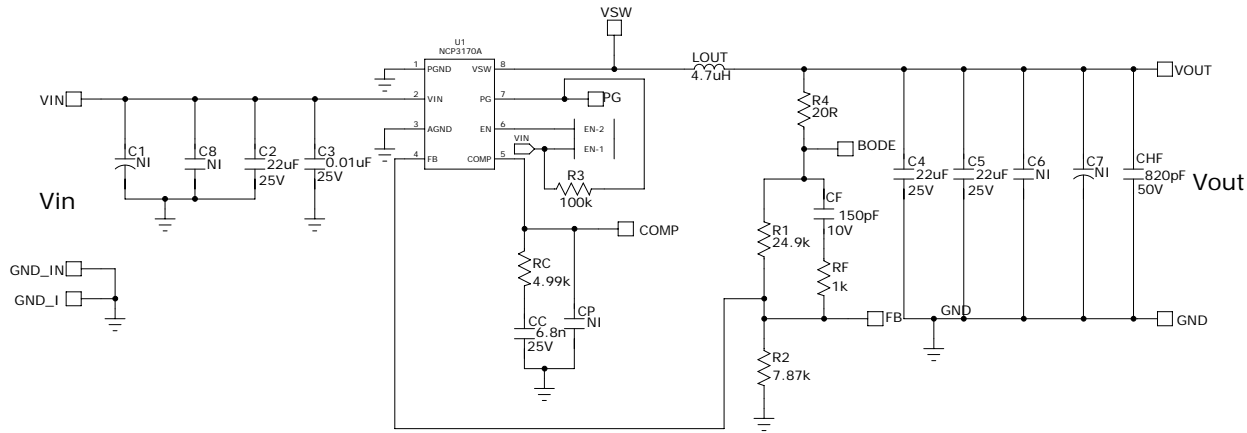


REVISION RECORD			
LTR	ECO NO.	APPROVED:	DATE:



COMPANY:				ON Semiconductor			
TITLE:				NCP3170 Reference Design 1			
DRAWN:	Bryan W McCoy	DATED:	03/18/11	CODE:	SIZE:	DRAWING NO.:	REV:
CHECKED:	Andrew Knoop	DATED:	03/18/11	C	6		
QUALITY CONTROL:		DATED:					
RELEASED:		DATED:		SCALE:	SHEET:1 OF 1		