

General purpose power unit

P704B

SPECIFICATIONS

INPUT CHARACTERISTICS

| | |
|-----------------------------------|---------------------|
| Voltage to transducer | 27 VDC ¹ |
| Current to transducer, $\pm 20\%$ | 2.4 mA DC |

OUTPUT CHARACTERISTICS

| | |
|----------------------------|--------------------|
| Output impedance | same as transducer |
| Recommended load impedance | >100 k Ω |
| Decoupling capacitor | 22 μ F, 35 VDC |

TRANSFER CHARACTERISTICS

| | |
|--------------------|--------------------|
| Frequency response | same as transducer |
|--------------------|--------------------|

BATTERY TEST CIRCUIT / POWER REQUIREMENTS

| | |
|------------------------|-----------------|
| LED lights | >18 VDC |
| Battery life | >120 hours |
| Batteries ² | 9V alkaline (3) |

ENVIRONMENTAL

| | |
|-------------------|-------------|
| Temperature range | 0° to +55°C |
|-------------------|-------------|

PHYSICAL CHARACTERISTICS

| | |
|------------------|--------------------|
| Size (W x H x D) | 3 x 2.4 x 4 inches |
| Weight | 0.84 lb |
| Connectors: | |
| Signal input | BNC |
| Signal output | BNC |

Notes: ¹ 25 VDC when using Ni-Cad batteries.

² For extended operation, the NC3 Ni-Cad battery kit should be used.

Accessories supplied: (3) 9V alkaline batteries

Accessories available: NC3 Ni-Cad battery kit; LA704B line adaptor (110V); LA704B-220 line adaptor (220V); BNC series adaptors



Key features

- Powers most 700 series accelerometers
- Portable and lightweight
- Battery condition light
- Manufactured in an ISO 9001 facility

See reverse for operating instructions.

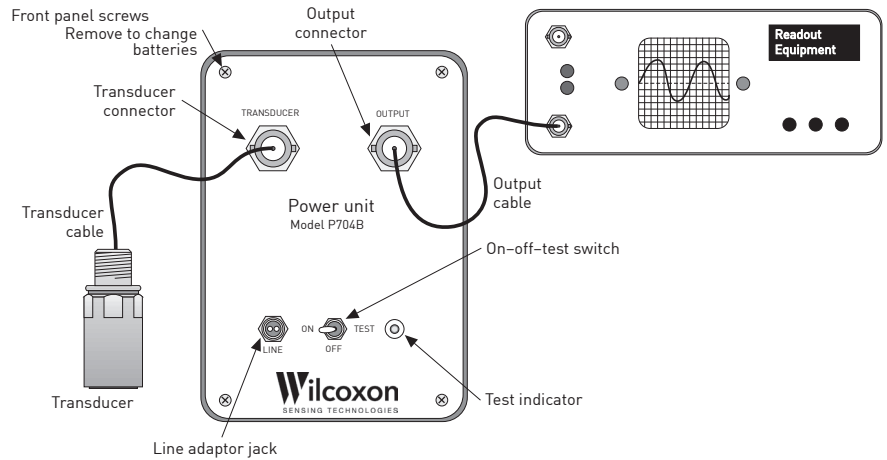
Note: Due to continuous process improvement, specifications are subject to change without notice.
This document is cleared for public release.

General purpose power unit P704B

Operating instructions

1. To test batteries, press switch to RIGHT (momentary) position; LED should light.
2. OFF position is with switch in center.
3. To turn unit ON, press to LEFT.

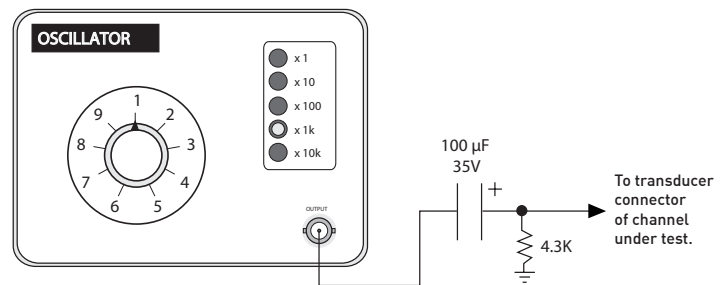
Use LA704B line adaptor to power unit from line voltage without batteries installed or to charge Ni-Cad batteries.



CAUTION: DO NOT ATTEMPT TO RECHARGE ALKALINES WITH THE LA704B.
Alkaline batteries may **EXPLODE** or leak corrosive fluids.

Test for proper operation

- Use a digital multimeter to verify that the proper voltage and current are available at the transducer connector.
- Substitute an oscillator for the transducer.
- Follow the connection to the power unit as shown at right.
- The unit should have unity again.



Note: Due to continuous process improvement, specifications are subject to change without notice.
This document is cleared for public release.