



## Zero Biased Detector With 50 Ohm SMA Male to SMA Female Video Out Operating From 10 MHz to 26.5 GHz

### TECHNICAL DATA SHEET

PE8014

#### Zero Biased Detector With 50 Ohm SMA Male to SMA Female Video Out Operating From 10 MHz to 26.5 GHz

##### Configuration

Bias Type	Zero Biased Detector
Detector Polarity	Negative
Body Style	Straight
RF Input Connector	SMA Male
RF Input Impedance	50 Ohms
Video Output Connector	SMA Female

##### Electrical Specifications

Frequency Range, GHz	0.01 to 26.5
Voltage Sensitivity, mV/mW	100
Tangential Signal Sensitivity	-52
Maximum VSWR	2:1
Flatness, dB	± 0.05
Maximum Input Power, dBm	23
Video Capacitance, pF	470

##### Frequency 1

Frequency, GHz	0.01 to 18
VSWR	1.5:1

##### Frequency 2

Frequency, GHz	18 to 26.5
VSWR	2:1

##### Mechanical Specifications

###### Temperature

Operating Range, deg C	0 to +90
------------------------	----------

###### Size

Length, in [mm]	1.21 [30.73]
Width/Dia., in [mm]	0.31 [7.87]

###### RF Input

Type	SMA Male
------	----------

###### Video Output

Type	SMA Female
------	------------

Click the following link (or enter part number in "SEARCH" on website) to obtain additional part information including price, inventory and certifications: [Zero Biased Detector With 50 Ohm SMA Male to SMA Female Video Out Operating From 10 MHz to 26.5 GHz PE8014](#)

The information contained in this document is accurate to the best of our knowledge and representative of the part described herein. It may be necessary to make modifications to the part and/or the documentation of the part, in order to implement improvements. Pasternack reserves the right to make such changes as required. Unless otherwise stated, all specifications are nominal.



Zero Biased Detector With 50 Ohm SMA Male to SMA Female Video Out Operating From 10 MHz to 26.5 GHz

TECHNICAL DATA SHEET

PE8014

**Compliance Certifications** (visit [www.Pasternack.com](http://www.Pasternack.com) for current document)

RoHS Compliant	Yes
REACH Compliant	06/18/2012

**Plotted and Other Data**

Notes: Values at 25 °C, sea level

Zero Biased Detector With 50 Ohm SMA Male to SMA Female Video Out Operating From 10 MHz to 26.5 GHz from Pasternack Enterprises has same day shipment for domestic and International orders. Our RF, microwave and fiber optic products maintain a 99% availability and are part of the broadest selection in the industry.

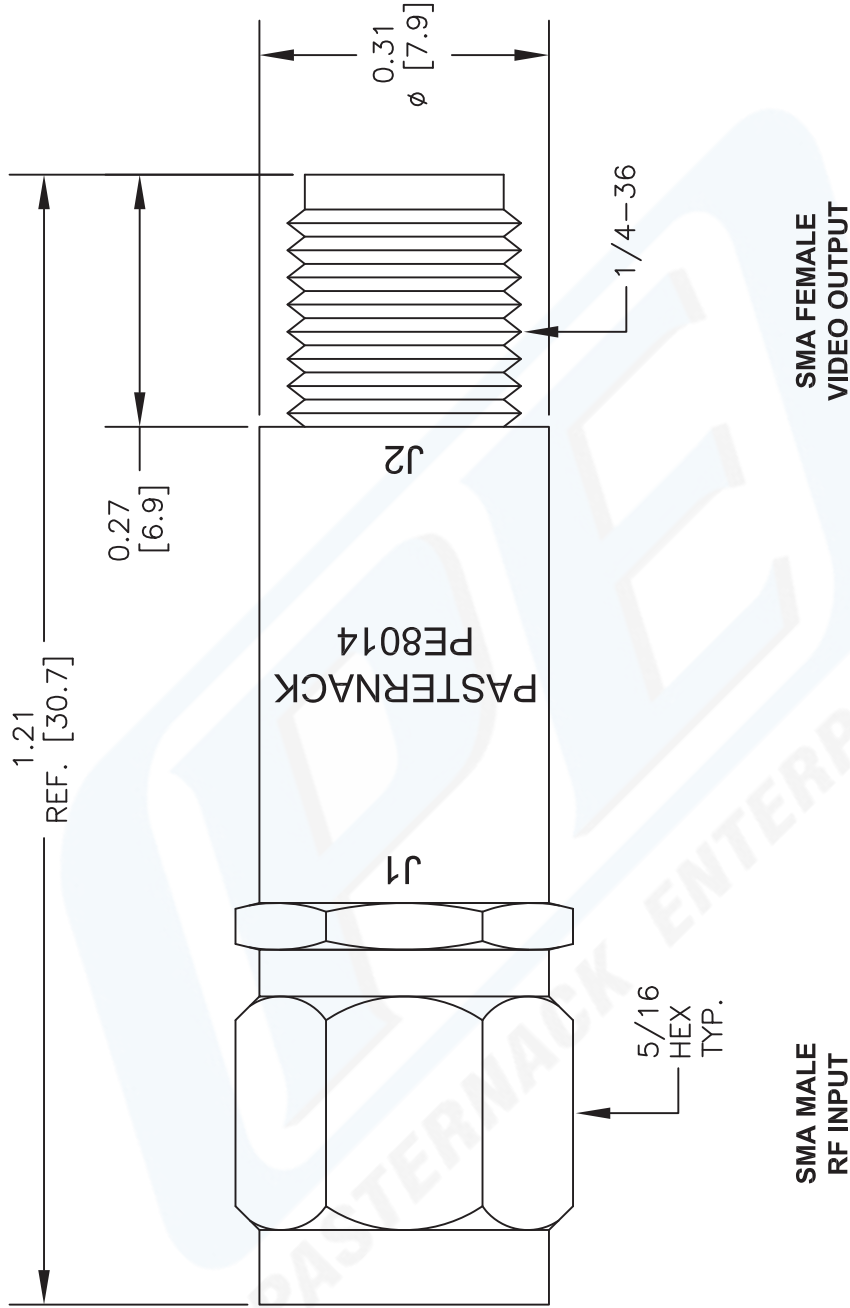
Click the following link (or enter part number in "SEARCH" on website) to obtain additional part information including price, inventory and certifications: [Zero Biased Detector With 50 Ohm SMA Male to SMA Female Video Out Operating From 10 MHz to 26.5 GHz PE8014](#)

URL: <http://www.pasternack.com/50-ohm-sma-zero-biased-detector-negative-10-mhz-26500-mhz-pe8014-p.aspx>

The information contained in this document is accurate to the best of our knowledge and representative of the part described herein. It may be necessary to make modifications to the part and/or the documentation of the part, in order to implement improvements. Pasternack reserves the right to make such changes as required. Unless otherwise stated, all specifications are nominal.

# PE8014 CAD Drawing

Zero Biased Detector With 50 Ohm SMA Male to SMA Female  
Video Out Operating From 10 MHz to 26.5 GHz



DWG TITLE

**PE8014**

NOTES:  
1. UNLESS OTHERWISE SPECIFIED ALL DIMENSIONS ARE NOMINAL.  
2. ALL SPECIFICATIONS ARE SUBJECT TO CHANGE WITHOUT NOTICE AT ANY TIME.  
3. DIMENSIONS ARE IN INCHES [mm].

FSCM NO. 53919

CAD FILE 090313

SCALE N/A

SIZE A

2233



**PASTERNAK**<sup>®</sup>  
Pasternack Enterprises, Inc.  
P.O. Box 16759 | Irvine | CA | 92623  
Phone: (949) 261-1920 | Fax: (949) 261-7451  
Website: [www.pasternack.com](http://www.pasternack.com) | E-Mail: [sales@pasternack.com](mailto:sales@pasternack.com)