



## 75 Ohm BNC Tee Adapter Female-Male-Female

### RF Adapters Technical Data Sheet

PE9365

#### Configuration

- BNC Female Connector 1
- BNC Male Connector 2
- 75 Ohm
- Tee Body Geometry

#### Features

- 30 µ-in minimum contact plating
- Gold Plated Brass Contact
- Typical VSWR of 2.1:1 up to 100 MHz
- Gold Plated Brass Contact
- 30 µ-in min Gold Contact Plating

#### Applications

- General Purpose Test
- CATV
- General Purpose Test

#### Description

Pasternack's PE9365 75 ohm BNC Tee adapter female-male-female is part of our full line of RF components available for same-day shipping. Our BNC tee adapter has a female-male-female gender configuration. Our BNC tee connector operates to 100 MHz. Tee adapters (also called tee connectors) are three port devices that can be used to split or combine a signal. Unlike power dividers/combiners, however, they do not provide matched impedance at all ports.

RF adapters are often used to enable connections between two connector types that would otherwise not mate. Certain adapter configurations can also be used to protect connectors on expensive equipment where the number of connect/disconnect cycles is high. An RF, microwave or millimeter wave adapter is connected to the equipment, and the commonly changed connection is made with the adapter which can be easily replaced when it wears out after high usage; such adapters are referred to as connector savers. Pasternack also offers bulkhead, panel mount, hermetically sealed, reverse polarity, and isolated ground adapter varieties to serve all of your RF, microwave and millimeter wave needs.

#### Electrical Specifications

Description	Minimum	Typical	Maximum	Units
Frequency Range	DC		100	MHz
VSWR		2.1:1		
Operating Voltage (AC)			500	Vrms

Electrical Specification Notes:  
Values at 25°C, sea level.

#### Mechanical Specifications

Size	
Length	1.28 in [32.51 mm]
Width	0.57 in [14.48 mm]
Height	1.12 in [28.45 mm]
Weight	0.027 lbs [12.25 g]

Click the following link (or enter part number in "SEARCH" on website) to obtain additional part information including price, inventory and certifications: [75 Ohm BNC Tee Adapter Female-Male-Female PE9365](#)



75 Ohm BNC Tee Adapter Female-Male-Female

RF Adapters Technical Data Sheet

PE9365

Description	Connector 1	Connector 2
Type	BNC Female	BNC Male
Polarity	Standard	Standard

**Material Specifications**

Description	Connector 1		Connector 2	
	Material	Plating	Material	Plating
Type	BNC Female		BNC Male	
Contact	Brass	Gold 30 μ-in minimum	Brass	Gold 30 μ-in minimum
Insulation	PTFE		PTFE	
Outer Conductor	Brass	Nickel 100 μ-in minimum		
Body			Brass	Nickel 100 μ-in minimum
Gasket			Silicone	
Coupling Nut			Brass	Nickel 100 μ-in minimum

**Environmental Specifications**

**Temperature**

Operating Range -65 to +165 deg C

**Compliance Certifications** (see [product page](#) for current document)

**Plotted and Other Data**

Notes:

Click the following link (or enter part number in "SEARCH" on website) to obtain additional part information including price, inventory and certifications: [75 Ohm BNC Tee Adapter Female-Male-Female PE9365](#)



## 75 Ohm BNC Tee Adapter Female-Male-Female

### RF Adapters Technical Data Sheet

PE9365

75 Ohm BNC Tee Adapter Female-Male-Female from Pasternack Enterprises has same day shipment for domestic and International orders. Our RF, microwave and millimeter wave products maintain a 99.4% availability and are part of the broadest selection in the industry.

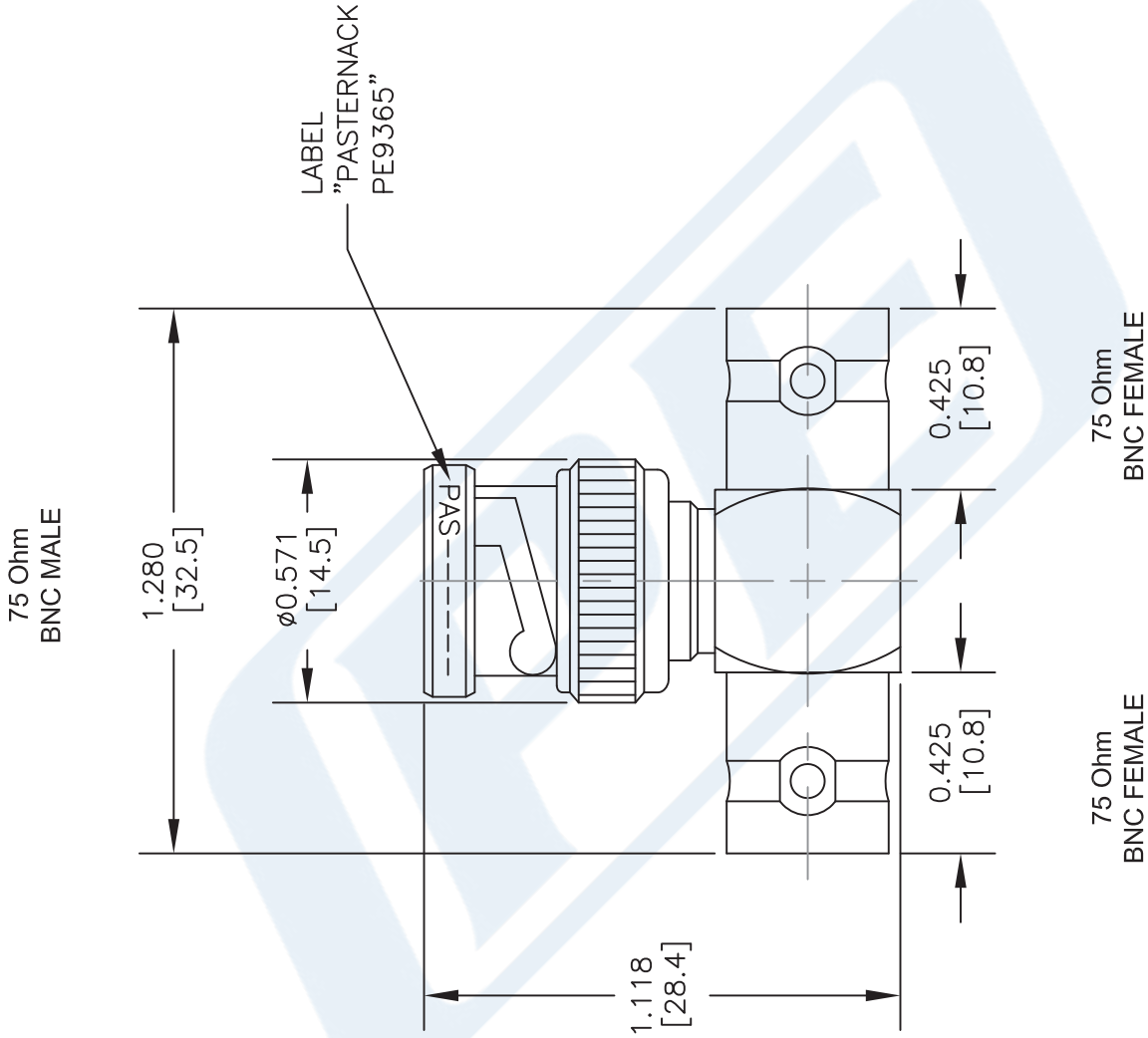
Click the following link (or enter part number in "SEARCH" on website) to obtain additional part information including price, inventory and certifications: [75 Ohm BNC Tee Adapter Female-Male-Female PE9365](#)

URL: <https://www.pasternack.com/bnc-female-male-female-tee-adapter-pe9365-p.aspx>

The information contained in this document is accurate to the best of our knowledge and representative of the part described herein. It may be necessary to make modifications to the part and/or the documentation of the part, in order to implement improvements. Pasternack reserves the right to make such changes as required. Unless otherwise stated, all specifications are nominal. Pasternack does not make any representation or warranty regarding the suitability of the part described herein for any particular purpose, and Pasternack does not assume any liability arising out of the use of any part or documentation.

# PE9365 CAD Drawing

## 75 Ohm BNC Tee Adapter Female-Male-Female



STANDARD TOLERANCES	
.X	±0.2
.XX	±0.1
.XXX	±0.05

\*STANDARD TOLERANCES APPLY ONLY TO DIMENSIONS IN INCHES

**NOTES:**  
 1. UNLESS OTHERWISE SPECIFIED ALL DIMENSIONS ARE NOMINAL.  
 2. ALL SPECIFICATIONS ARE SUBJECT TO CHANGE WITHOUT NOTICE AT ANY TIME.  
 3. DIMENSIONS ARE IN INCHES [mm].

DWG TITLE  
**PE9365**

**PE PASTERNAK**  
 THE ENGINEER'S RF SOURCE  
 Pasternack Enterprises, Inc.  
 P.O. Box 16759 | Irvine | CA | 92623  
 Phone: (949) 261-1920 | Fax: (949) 261-7451  
 Website: www.pasternack.com | E-Mail: sales@pasternack.com

CAD FILE 021816 SCALE N/A

FSCM NO. 53919

SIZE A 3045