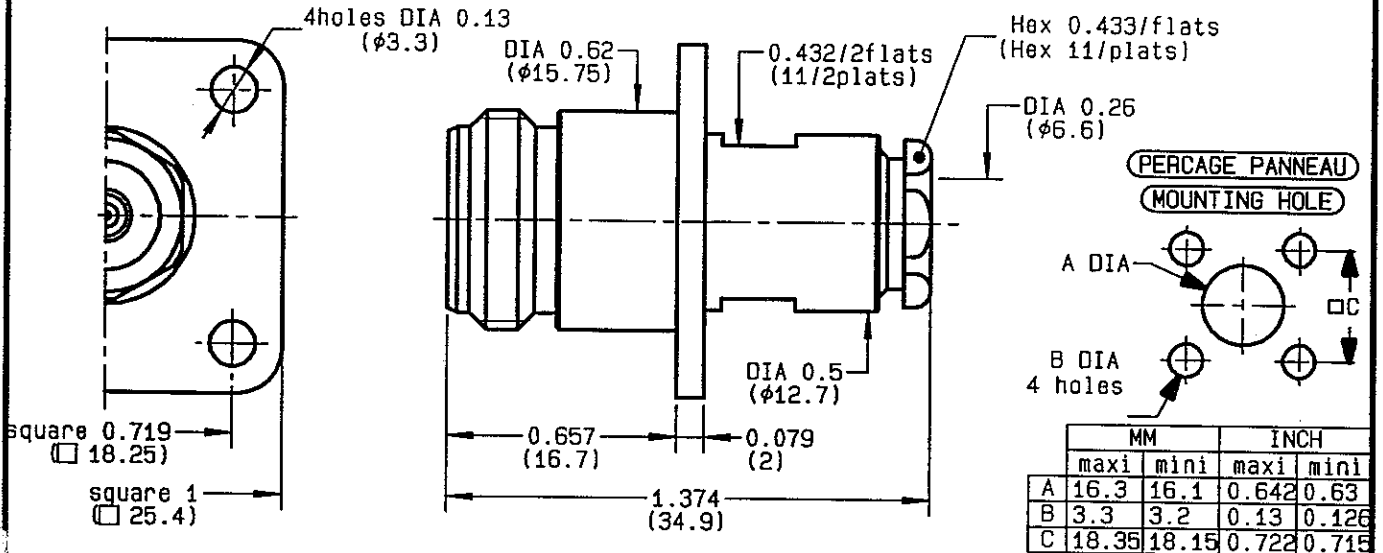


**STRAIGHT FLANGE JACK CLAMP TYPE
CABLE 6/75+93 S**

R162.262.000
SERIES N 75



NOMINAL IMPEDANCE	75 Ω
FREQUENCY RANGE	0-1.5 GHz
TEMPERATURE RATING	-55/+155 °C
V.S.W.R	1.06 + x F(GHz)Maxi
RF INSERTION LOSS	0.15 √F(GHz) dB Maxi
VOLTAGE RATING	850 Veff Maxi
DIELECTRIC WITHSTANDING VOLTAGE	1500 Veff Mini
INSULATION RESISTANCE	5000 M ΩMini
HERMETIC SEAL	NA Atm.cm ³ /s
LEAKAGE (pressurized only)	NA
MECHANICAL DURABILITY	500 Cycles
WEIGHT	36.1 gr
SPECIFICATION	

CABLES : **KX 6A**
R6 59
R6 62

OTHERS CHARACTERISTICS

CABLE RETENTION	200 N Mini
CENTER CONTACT RETENTION	
Axial force - mating end	NA N Mini
Axial force - opposite end	NA N Mini
Torque	NA cm.N Mini
RECOMMENDED TORQUES	
Mating	NA cm.N
Panel nut	NA cm.N
Clamp nut	450 cm.N

CONNECTOR PARTS:

MATERIALS

FINISH

(all values are given in micrometers)

BODY	BRASS	BBR 2
OUTER CONTACT	BRASS	BBR 2
CENTER CONTACT	BERYLLIUM COPPER	GOLD 0.5 OVER NICKEL 2
INSULATOR	PTFE	-
GASKET	-	-
OTHERS PIECES	BRASS	BBR 2

BONDIMINT

ISSUE 9733H00	CREATION DATE 26-OCT-93	FILE PART-NUMBER
-------------------------	-----------------------------------	------------------



RADIALL®

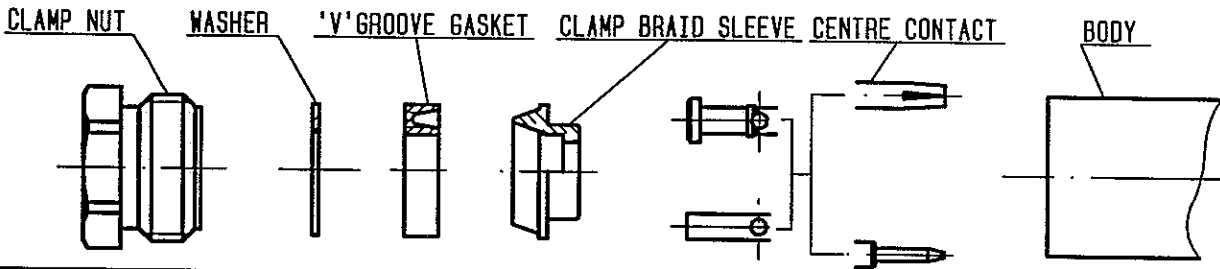
The information given here is subject to change without notice. Design changes may be in order to improve the product.

Connect to the future

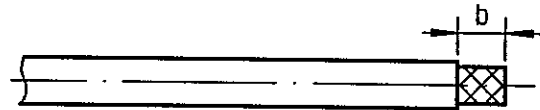


R162.262.000

ISSUE 9733H00 SERIES N 75

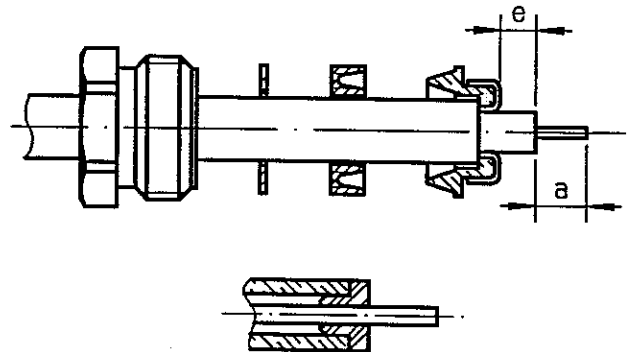


① Strip the cable .
 -
 -
 -
 -

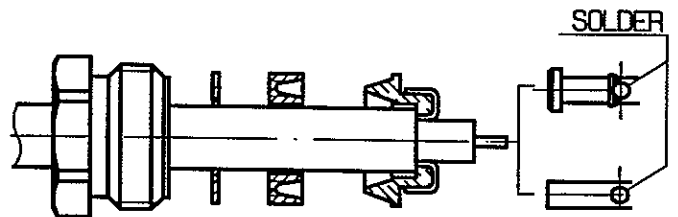


Stripping	a	b	c	d	e
inch	0.157	0.315	0	0	0.079
mm	4	8			2

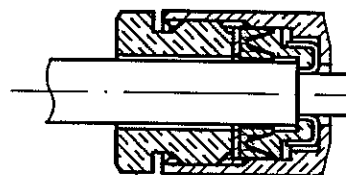
② Slide the clamp nut , the washer and the 'V'groove gasket onto the cable .
 Slide clamp braid sleeve over braid .
 Fold back braid and trim off surplus braid .
 Trim back dielectric as shown .
 -
 NOTA:For air-space PE cables , "e" =0.039
 Introduce insulator onto dielectric cable .



③ Solder the cable inner conductor into centre contact .
 -
 -
 -



④ Screw sub-assembly into the connector body .
 (recommended coupling torque 39.82 in.lb)
 -
 -



Hex. : 0.433/flats

DUNLOP 1/84