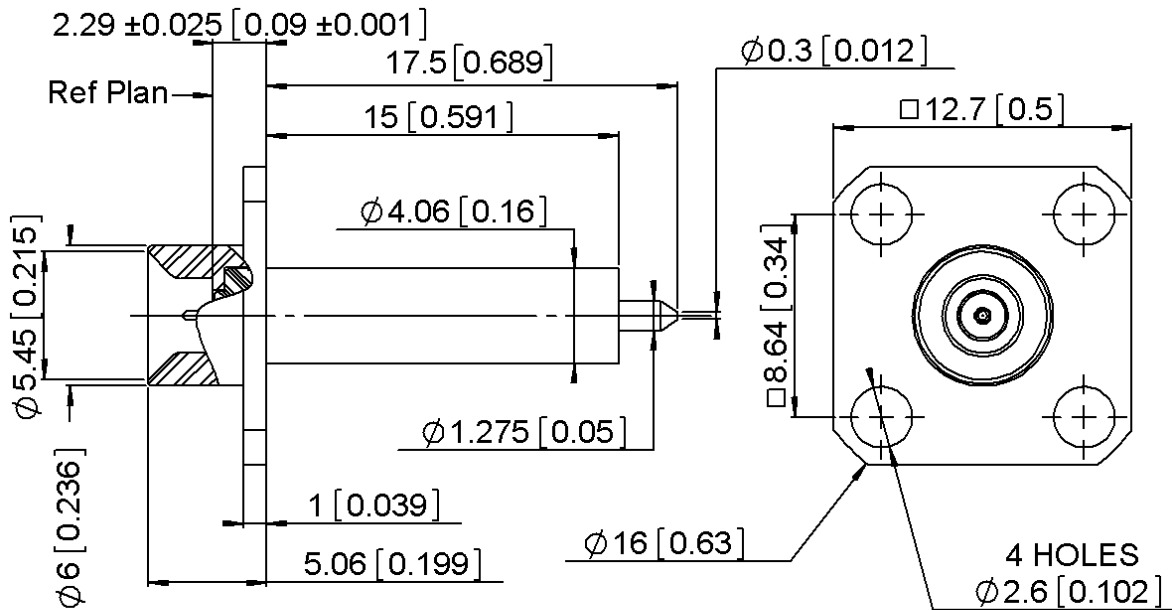
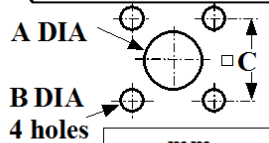


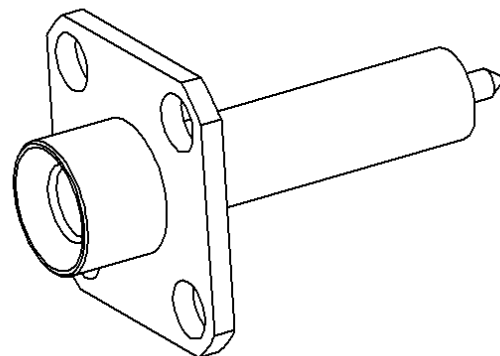
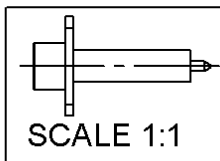
PAGE 1/2	ISSUE 06-06-18B	SERIES SMP	PART NUMBER R222414711
----------	-----------------	------------	------------------------



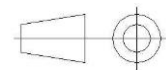
**PANEL CUT OUT**



	mm	
	Maxi	mini
A	4.15	4.1
B	2.8	2.7
C	8.69	8.59



All dimensions are in mm. Tolerances according ISO 2768 m-H



COMPONENTS	MATERIALS	PLATING (µm)
Body	<b>STAINLESS STEEL</b>	<b>PASSIVATED</b>
Center contact	<b>BERYLLIUM COPPER</b>	<b>GOLD OVER NICKEL</b>
Outer contact		
Insulator	<b>PTFE</b>	
Gasket		
Others parts		
-	-	-
-	-	-

PAGE 2/2	ISSUE <b>06-06-18B</b>	SERIES <b>SMP</b>	PART NUMBER <b>R222414711</b>
----------	------------------------	-------------------	-------------------------------

**PACKAGING**

Standard	Unit	Other
<b>100</b>	<b>Contact us</b>	<b>Contact us</b>

**ELECTRICAL CHARACTERISTICS**

Impedance		<b>50</b>	Ω
Frequency		<b>0-12</b>	GHz
VSWR	<b>1.2*</b> +	<b>0.0000</b>	x F(GHz) Maxi
Insertion loss		<b>.1</b>	√F(GHz) dB Maxi
RF leakage	- (	<b>N/A</b>	- F(GHz) dB Maxi
Voltage rating		<b>335</b>	Veff Maxi
Dielectric withstanding voltage		<b>500</b>	Veff mini
Insulation resistance		<b>5000</b>	MΩ mini

**ENVIRONMENTAL**

Operating temperature	<b>-65/+165</b>	°C
Hermetic seal	<b>N/A</b>	Atm.cm3/s
Panel leakage	<b>N/A</b>	

**MECHANICAL CHARACTERISTICS**

Center contact retention			
Axial force – Mating End		<b>6.8</b>	N mini
Axial force – Opposite end		<b>6.8</b>	N mini
Torque		<b>N/A</b>	N.cm mini
Recommended torque			
Mating		<b>N/A</b>	N.cm
Panel nut		<b>N/A</b>	N.cm
Mating life		<b>100</b>	Cycles mini
Weight		<b>2.1200</b>	g

**SPECIFICATION**

**OTHER CHARACTERISTICS**

Assembly instruction:

Others:

**\*Coaxial transmission line only**