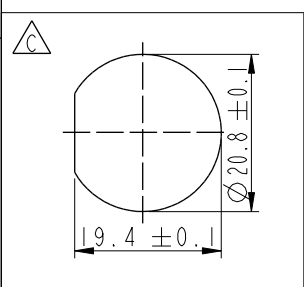
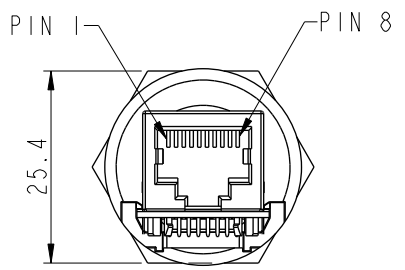
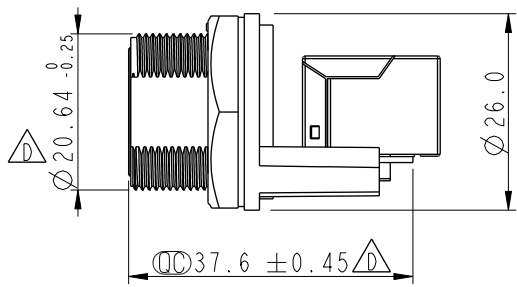
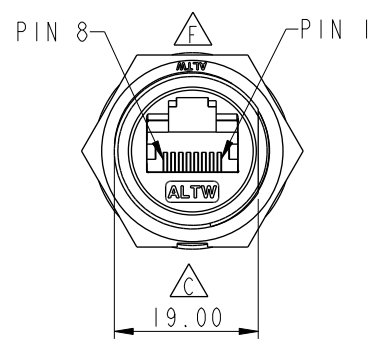
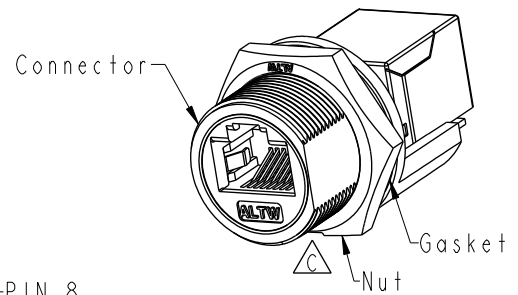
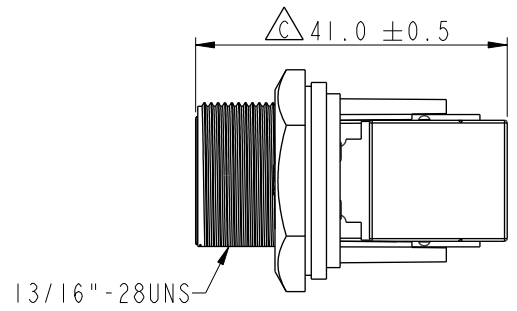


THIS DOCUMENT IS SUBJECT TO CHANGE WITHOUT NOTICE. IT IS CONFIDENTIAL AND A PROPERTY OF Amphenol LTW. DISCLOSURE TO THIRD PARTY HAS TO BE AUTHORIZED BY Amphenol LTW.

REV.	ECN NO.	DATE	SIGN	DESCRIPTION
E	C190405	2019/03/14	Ruru	Modify Note
F	C200524	2020/04/22	Vicky	$\triangle F$ X2
G	C220799	2022/05/25	Vicky	$\triangle G$ X1



- $\triangle E$ $\triangle G$ Note:
- * RoHS Compliant
 - * $\text{\textcircled{C}}$ Important dimension
 - * Waterproof rate: IPX7, unmated
 - * Connector
 - Housing: Thermoplastic, Black, RJ45 jack, shielded
 - * Nut: Thermoplastic, Black
 - * Gasket: Rubber, Gray
 - * Use with waterproof cap or dust cap
 - Panel thickness max: 3.0mm
 - * Use without waterproof cap or dust cap
 - Panel thickness max: 4.2mm
 - * Gasket and nut are packed separately in pe bag

Recommended Panel Cut-Out

UNIT: mm		TITLE	RJ, C PLASTIC, C5E SHLD FRONT FASTENED, F, PNL JACK S, SCREW $\triangle F$	
TOLERANCE		SCALE	SIZE	SHEET OF
.X ±0.25		1:1	A4	1 OF 1
.XX ±0.1		REV.	WC-REV.	
.XXX ±0.05		G	C.3	$\text{\textcircled{C}}$: Inspection item
ANGLES ±1°				

Amphenol LTW
安費諾亮泰企業股份有限公司

ITEM NO.	RCP-5SPFFH-SCU7001	DRAWN BY	Ruru	DATE	2019-03-14
DWG NO.	RCP-5SPFFH-SCU7001	CHECKED BY	Rita	DATE	2019-03-14
CUSTOMER	ALTW	APPROVED BY	Max	DATE	2019-03-14