



ULTRA-SMALL CERAMIC

Power Splitter/Combiner

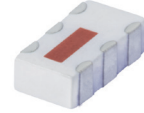
SCN-2-35+

Mini-Circuits

2 Way-0° 50Ω 2825 to 3700 MHz

FEATURES

- Isolation resistor, external 100 ohms
- Low insertion loss, 0.4 dB typ.
- Excellent amplitude unbalance, 0.1 dB typ.
- Excellent phase unbalance, 0.8 deg. typ.
- High isolation, 28 dB typ.
- Excellent power handling, 4W as splitter
- Small size, 0.12"X0.06"X0.035"
- ESD non-sensitive
- Temperature stable LTCC technology
- Wrap around terminations for excellent solderability
- Low cost
- Protected by US patent 6,967,544



Generic photo used for illustration purposes only

CASE STYLE: FV1206-1

+RoHS Compliant

The +Suffix identifies RoHS Compliance. See our website for methodologies and qualifications

APPLICATIONS

- Amateur radio
- Defense
- Wireless communication

ELECTRICAL SPECIFICATIONS AT 25°C

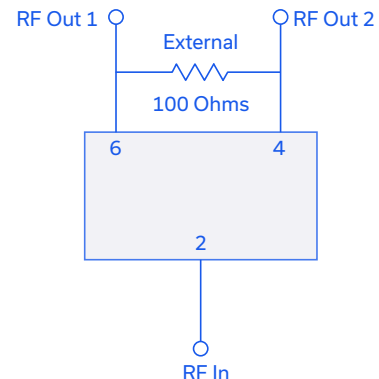
Parameter	Frequency (MHz)	Min.	Typ.	Max.	Unit
Frequency Range		2825		3700	MHz
Insertion Loss, above 3.0 dB	2825-3700		0.4	1.3	dB
	3200-3500		0.4	1.0	
Isolation	2825-3700	13	22		dB
	3200-3500	18	28		
Phase Unbalance	2825-3700		1.0	4.0	Degree
	3200-3500		0.8	4.0	
Amplitude Unbalance	2825-3700		0.1	0.3	dB
	3200-3500		0.1	0.3	
Return Loss (Input)	2825-3700		18		dB
	3200-3500		20		
Return Loss (Output)	2825-3700		20		dB
	3200-3500		23		

MAXIMUM RATINGS

Parameter	Ratings
Operating Temperature	-55°C to 100°C
Storage Temperature	-55°C to 100°C
Power Input (as a splitter)	4W* max.

*Derate linearly to 1.3W at 100°C ambient, power input as combiner is limited by rating of external 100Ω Resistor. Permanent damage may occur if any of these limits are exceeded.

ELECTRICAL SCHEMATIC



Mini-Circuits

www.minicircuits.com P.O. Box 350166, Brooklyn, NY 11235-0003 (718) 934-4500 sales@minicircuits.com

REV. F
ECO-010142
SCN-2-35+
ED-11378C/1
AD/TD/CP/AM
220929
PAGE 1 OF 3

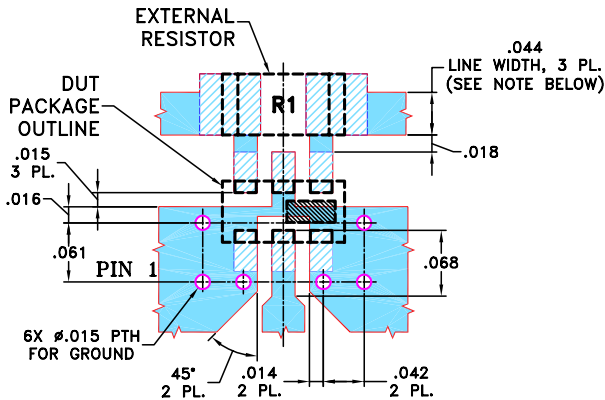


PIN CONNECTIONS

SUM PORT	2
PORT 1	6
PORT 2	4
GROUND	1,3,5
PORT 1-2	resistor external 100 ohms

PRODUCT MARKING: N/A

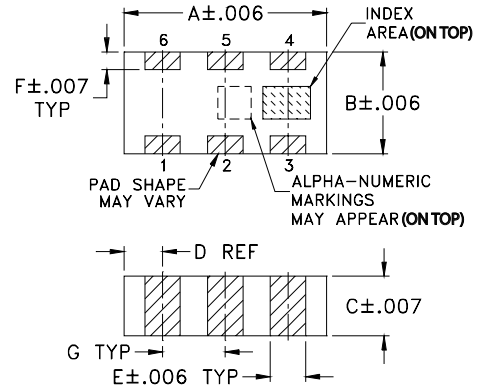
DEMO BOARD MCL P/N: TB-252
SUGGESTED PCB LAYOUT (PL-129)



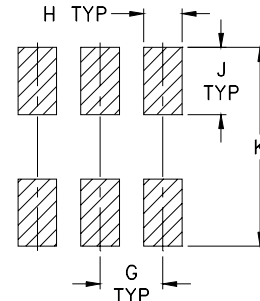
- NOTES: 1. TRACE WIDTH IS SHOWN FOR ROGERS RO4350B WITH DIELECTRIC THICKNESS $0.020" \pm 0.0015"$; COPPER: 1/2 OZ. EACH SIDE. FOR OTHER MATERIALS TRACE WIDTH MAY NEED TO BE MODIFIED.
2. BOTTOM SIDE OF THE PCB IS CONTINUOUS GROUND PLANE.

- DENOTES PCB COPPER LAYOUT WITH SMOBC (SOLDER MASK OVER BARE COPPER)
- DENOTES COPPER LAND PATTERN FREE OF SOLDER MASK

OUTLINE DRAWING



PCB Land Pattern



Suggested Layout,
Tolerance to be within ± 0.002

OUTLINE DIMENSIONS (Inches/mm)

A	B	C	D	E	F
.126	.063	.035	.024	.022	.011
3.20	1.60	0.89	0.61	0.56	0.28
G	H	J	K	wt	
.039	.024	.042	.123	grams	
0.99	0.61	1.07	3.12	.020	

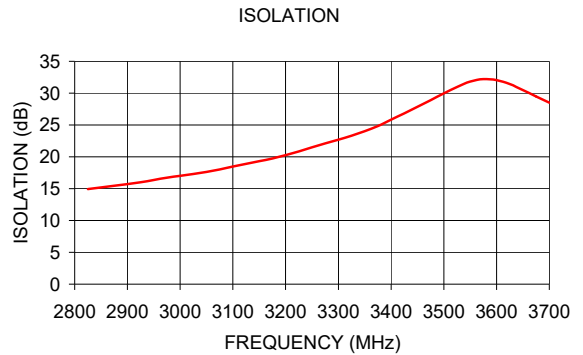
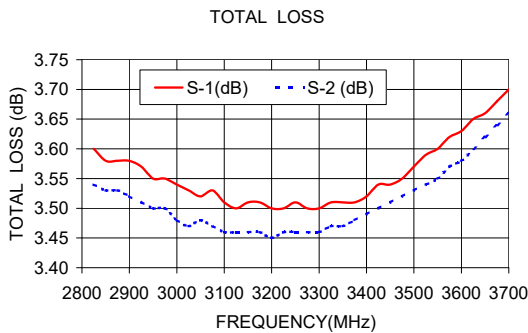
TAPE & REEL INFORMATION: F75



TYPICAL PERFORMANCE DATA

Frequency (MHz)	Total Loss ¹ (dB)		Amplitude Unbalance (dB)	Isolation (dB)	Phase Unbalance (deg.)	Return Loss (dB)		
	S-1	S-2				S	1	2
2825.00	3.60	3.54	0.06	14.94	0.28	15.39	47.26	31.96
2900.00	3.58	3.52	0.05	15.70	0.22	16.46	41.52	34.99
3000.00	3.54	3.48	0.05	17.02	0.21	18.99	33.34	47.87
3100.00	3.51	3.46	0.05	18.47	0.17	21.86	29.16	39.50
3200.00	3.50	3.45	0.05	20.26	0.14	26.24	25.93	31.34
3300.00	3.50	3.46	0.04	22.71	0.14	30.10	23.20	26.54
3450.00	3.54	3.51	0.04	27.85	0.12	21.96	20.06	21.98
3500.00	3.57	3.53	0.04	29.97	0.13	20.04	19.24	20.75
3550.00	3.60	3.55	0.04	31.81	0.11	18.22	18.51	19.70
3575.00	3.62	3.57	0.05	32.20	0.09	17.56	18.24	19.31
3600.00	3.63	3.58	0.05	32.06	0.06	17.00	17.98	18.95
3625.00	3.65	3.60	0.05	31.43	0.04	16.42	17.72	18.61
3650.00	3.66	3.62	0.05	30.50	0.01	15.80	17.43	18.26
3675.00	3.68	3.64	0.04	29.47	0.02	15.18	17.13	17.88
3700.00	3.70	3.66	0.04	28.52	0.03	14.65	16.85	17.50

1. Total Loss = Insertion Loss + 3dB splitter loss.



- NOTES
- A. Performance and quality attributes and conditions not expressly stated in this specification document are intended to be excluded and do not form a part of this specification document.
 - B. Electrical specifications and performance data contained in this specification document are based on Mini-Circuit's applicable established test performance criteria and measurement instructions.
 - C. The parts covered by this specification document are subject to Mini-Circuits standard limited warranty and terms and conditions (collectively, "Standard Terms"); Purchasers of this part are entitled to the rights and benefits contained therein. For a full statement of the standard. Terms and the exclusive rights and remedies thereunder, please visit Mini-Circuits' website at www.minicircuits.com/MCLStore/terms.jsp

