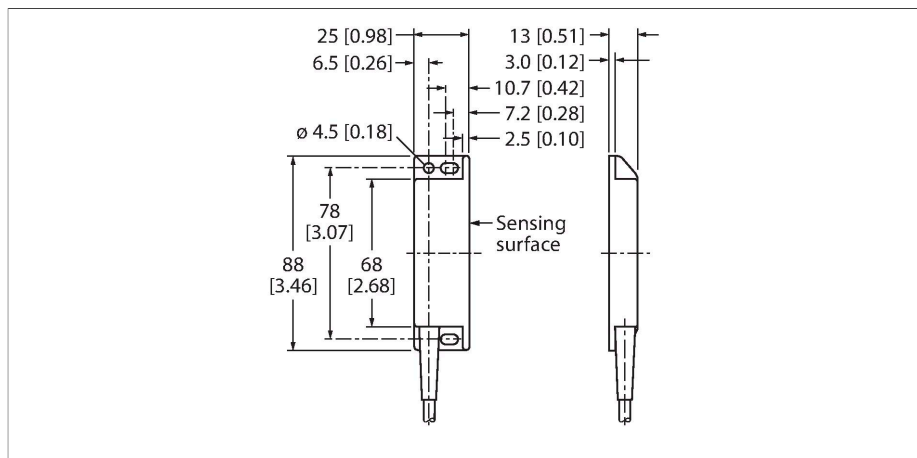


SI-MAGB1SMQD

Machine Safety – Magnetic Safety Switch



Technical data

Type	SI-MAGB1SMQD
ID	3807124
Function	Magnetic safety switch
Range	4...14 mm
Max. current safe output	400 mA
Output function	NO/NC, Potential-free
Design	Rectangular
Housing material	Plastic, Thermoplastic material
Mechanical lifespan	3 * 10 ⁸ Switching cycles
B10d value	20 * 10 ⁸ Switching cycles
Cascadable	No
Electrical connection	Cable with connector, M8 × 1
Number of cores	4
Ambient temperature	-25...+70 °C
Protection class	IP67
Special features	Wash down
PL acc. to DIN EN 13849-1:2008	e
Category acc. to DIN EN 13849-1:2008	4
SIL according IEC 61508	3
Coding level/tamper protection	Low

Features

- Contactless switch
- Tamper-proof via coded magnets
- Requires coded magnets SI-MAGB1MM for operation
- SIL 3 (IEC 61508)
- PL e (ISO 13849-1)
- 1 NC contact
- 1 NO (NO) contact