



Wire Protection & Management > Interconnect Devices > SolderSleeve Shield Terminators



SolderSleeve Shield Terminator Product Type: **Shield Terminator**

Operating Temperature (Max): **150 °C**

Expanded Inside Diameter (Min): **1.91 mm [.075 in]**

Recovered Inside Diameter (Max): **.51 mm [.02 in]**

Pre-Installed Lead: **Yes**

Features

Product Type Features

Splice Type	Shield Terminator
Temperature Indicator Type	Fusible Ring
Temperature Indicator	Yes
SolderSleeve Shield Terminator Product Type	Shield Terminator

Configuration Features

Pre-Installed Lead Type	55A0111
Pre-Installed Lead	Yes

Body Features

Lead Color	White/Black
Lead Plating Material	Tin
Lead Stranding	Stranded

Termination Features

Termination Method	Solder
--------------------	--------

Dimensions

Pre-Installed Lead Wire Size	.24 mm ²
Dielectric Outside Diameter (Max)	.5 mm[.02 in]
Shield Outside Diameter (Min)	.9 mm[.035 in]
Overall Length	16.5 mm[.65 in]



Jacket Outside Diameter	1.9 mm[.075 in]
Expanded Inside Diameter (Min)	1.91 mm[.075 in]
Recovered Inside Diameter (Max)	.51 mm[.02 in]

Usage Conditions

Operating Temperature (Max)	150 °C
Resistance Properties	Immersion Protection
Wire Temperature (Max)	125 °C

Industry Standards

Government Qualified	No
MIL/NAS Specification (MIL-S-83519, NAS-1747)	No

Product Compliance

[For compliance documentation, visit the product page on TE.com>](#)

EU RoHS Directive 2011/65/EU	Not Compliant
EU ELV Directive 2000/53/EC	Not Compliant
China RoHS 2 Directive MIIT Order No 32, 2016	Restricted Materials Above Threshold
EU REACH Regulation (EC) No. 1907/2006	Current ECHA Candidate List: JUL 2021 (219) Candidate List Declared Against: JAN 2021 (211) SVHC > Threshold: Pb (37% in Solder) Article Safe Usage Statements: Do not eat, drink or smoke when using this product. Wash thoroughly after handling. Recycle if possible and dispose of the article by following all applicable governmental regulations relevant to your geographic location.
Halogen Content	BFR/CFR/PVC Free, but Br/Cl >900 ppm in other sources.
Solder Process Capability	Not applicable for solder process capability

Product Compliance Disclaimer

This information is provided based on reasonable inquiry of our suppliers and represents our current actual knowledge based on the information they provided. This information is subject to change. The part numbers that TE has identified as EU RoHS compliant have a maximum concentration of 0.1% by weight in homogenous materials for lead, hexavalent chromium, mercury, PBB, PBDE, DBP, BBP, DEHP, DIBP, and 0.01% for cadmium, or qualify for an exemption to these limits as defined in the Annexes of Directive 2011/65/EU (RoHS2). Finished electrical and electronic equipment products will be CE marked as required by Directive 2011/65/EU. Components may not be CE marked. Additionally, the part numbers that TE has identified as EU ELV compliant have a maximum concentration of 0.1% by weight in homogenous materials for lead, hexavalent chromium, and mercury, and 0.01% for cadmium, or qualify for an exemption to these limits as defined in the Annexes of Directive 2000/53/EC (ELV). Regarding the REACH Regulation, the information TE provides on SVHC in articles for this part number is based on the latest European Chemicals Agency (ECHA) 'Guidance on requirements for substances in articles' posted at this URL: <https://echa.europa.eu/guidance-documents/guidance-on-reach>

Compatible Parts



TE Part # CJ2087-000
HL2010E-KIT-120V

Customers Also Bought



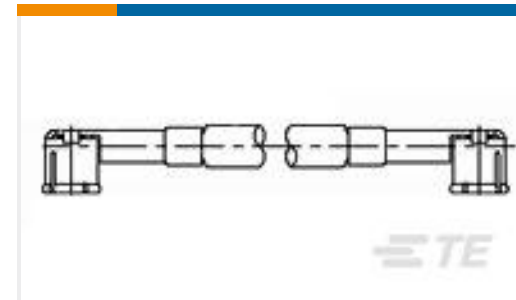
TE Part #2-323914-1
TERMINAL,PIDG R 26-22 4



TE Part #1-6609016-1
6ED1C=F7066 S0



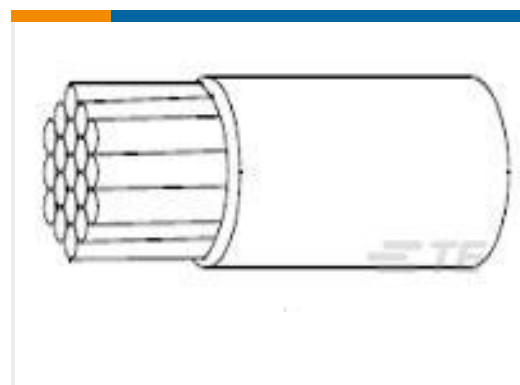
TE Part #205089-1
HD 20 PIN CONTACT



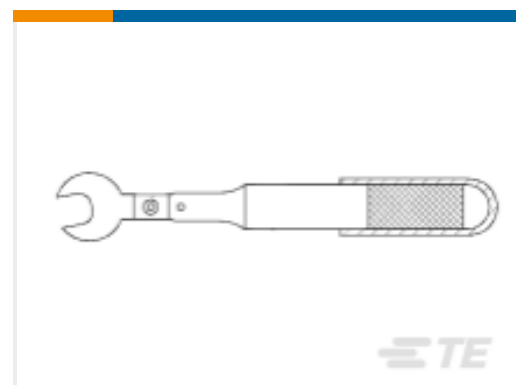
TE Part #1064309-1
9950 1200 23



TE Part #YDTS26Z13-35PCV001
PLUG ASSY



TE Part #216285-000
22759/32-20-2



TE Part #1055789-1
OSSM TORQUE WRENCH



TE Part #118438-1
ECONOMATE II 53 POS COMB



TE Part #2-1617805-8
TD229-1001P=TDFR 1 SEC M83726/29-1001P

Documents

Product Drawings

[SO63-1-55-24-90](#)

English

Datasheets & Catalog Pages

[1654025_Sec8_B-155_CWT_SO63_S01to03_SO96](#)

English

SO63-1-55-24-90

SolderSleeve Shield Terminators, Shield Terminator, Operating Temperature (Max)
150 °C, Expanded Inside Diameter (Min) .075 in [1.91 mm]



Raychem Electrical Interconnect Products

English