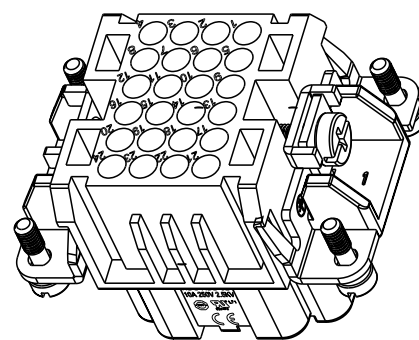
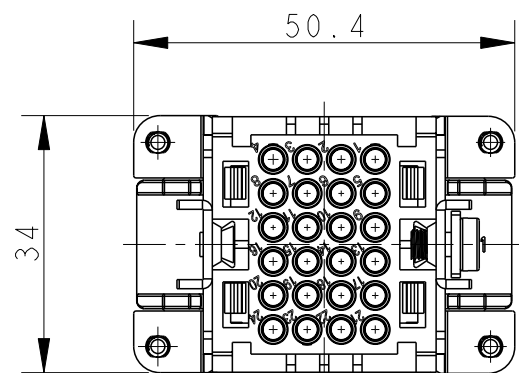


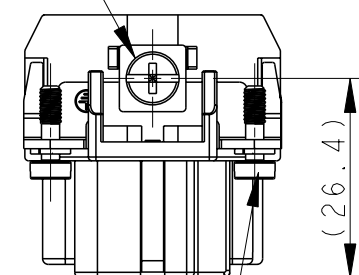
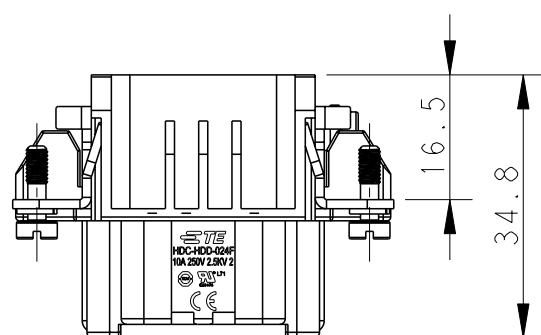
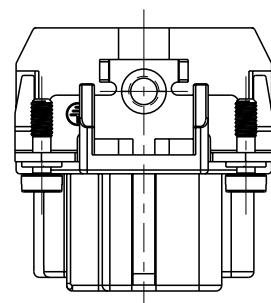
THIS DRAWING IS UNPUBLISHED. RELEASED FOR PUBLICATION 20
 © COPYRIGHT 20 BY - ALL RIGHTS RESERVED.

REVISIONS

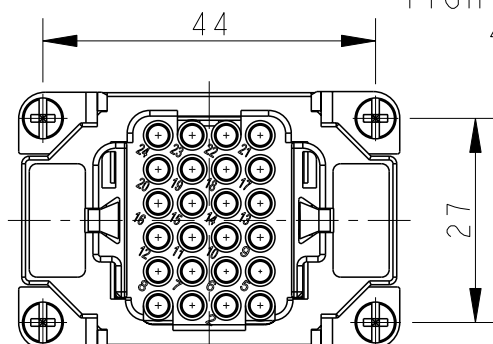
P	LTR	DESCRIPTION	DATE	DWN	APVD
A		INITIAL RELEASE	16MAR2015	DL	CW
B		ECR-15-013292	24SEP2015	DL	CW
B1		ECR-16-015492	15NOV2016	QY	CW
C		ECR-21-105887	26JUL2021	BS	CW



M4 SCREW RECOMMENDED
 TIGHTENING TORQUE 1.2Nm
 M4 螺丝, 推荐锁紧力矩1.2Nm



4X M3 SCREW RECOMMENDED
 TIGHTENING TORQUE 0.5Nm
 4X M3螺丝, 推荐锁紧力矩0.5Nm

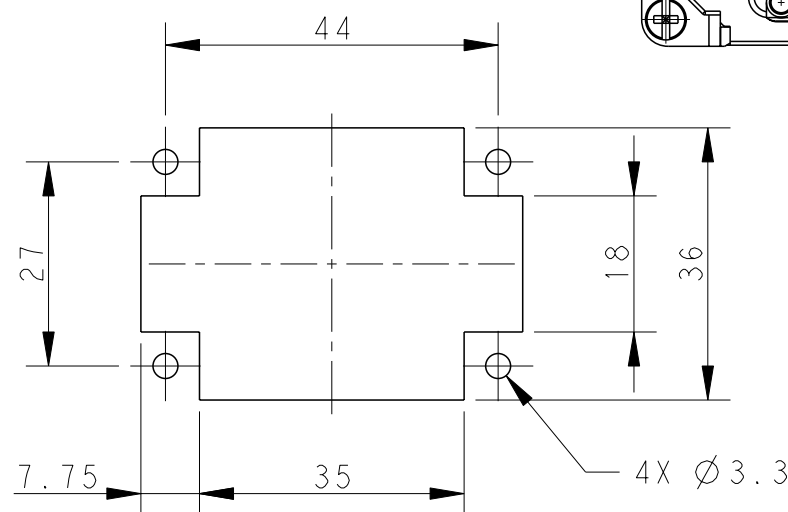


NOTES:

- TECHNICAL CHARACTERISTICS:
 INSULATION MATERIAL: PC
 RATED VOLTAGE: 250 V
 RATED CURRENT: 10 A
 INSULATION RESISTANCE: $\geq 400M\Omega$
 RATED IMPULSE VOLTAGE: 2.5 KV
 POLLUTION DEGREE: 2
 FLAMMABILITY: UL94V-0
 MATING CYCLES: 500 CYCLES
 WIRE RANGE: 0.14-2.5 mm² (26-14 AWG)
 CONTACT TYPE: CRIMP CONTACT
- CONTACT NEED TO BE ORDERED SEPARATELY.
 (ORDER No. REFER TO DRAWING: T20200X20XX000)


注释:

- 技术参数:
 绝缘材料: PC
 额定电压: 250V
 额定电流: 10A
 绝缘电阻: $\geq 400M\Omega$
 额定脉冲电压: 2.5 KV
 污染等级: 2
 阻燃等级: UL94V-0
 插拔次数: 500次
 接线范围: 0.14-2.5 mm² (26-14 AWG)
 接线类型: 冷压接
- 端子需要单独订购。
 (订货号参考图面: T20200X20XX000)



TYPE-1, T2030242201-000, TE LOGO
 类型-1, T2030242201-000, TE LOGO

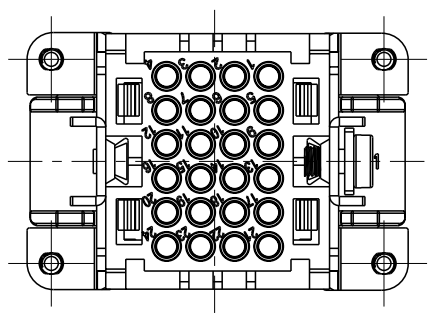
PANEL CUT OUT FOR INSERTS FOR USING
 WITHOUT HOODS/HOUSINGS
 不用防护外壳时芯件的安装开孔图

THIS DRAWING IS A CONTROLLED DOCUMENT.		DWN	DAVID LI	16MAR2015	 TE Connectivity	
DIMENSIONS: mm		CHK	CHRIS WANG	16MAR2015		
TOLERANCES UNLESS OTHERWISE SPECIFIED:		APVD	XU XIANG	16MAR2015		
0 PLC ±- 1 PLC ±- 2 PLC ±- 3 PLC ±- 4 PLC ±- ANGLES ±-		PRODUCT SPEC	108-137043			
MATERIAL		APPLICATION SPEC	114-137043		NAME	HDD-024-F
FINISH		WEIGHT	-		SIZE	A3
-		CUSTOMER DRAWING		SCALE	1:1	SHEET 1 OF 2
-		-		RESTRICTED TO	© T2030242201000	
-		-		REV	C	

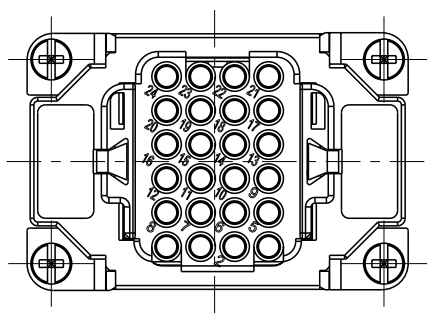
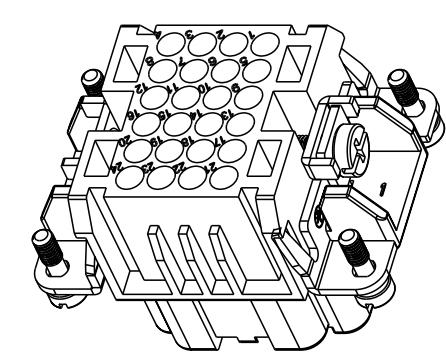
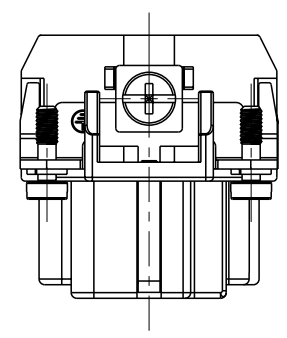
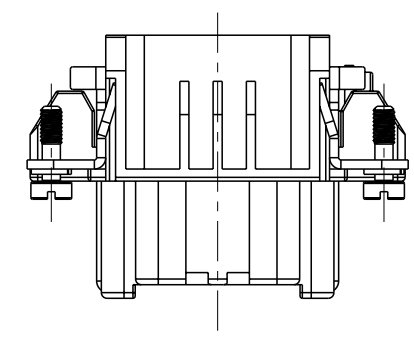
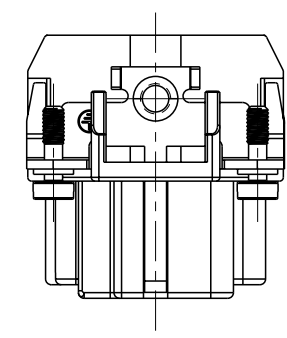
printed on 27 Jul 2021 16:15 (China Standard Time) from TE236667

THIS DRAWING IS UNPUBLISHED. RELEASED FOR PUBLICATION 20
 © COPYRIGHT 20 BY - ALL RIGHTS RESERVED.

REVISIONS					
P	LTR	DESCRIPTION	DATE	DWN	APVD
-		SEE SHEET 1	-	-	-



NOTE:
 SEE SHEET 1
 注释:
 见页 1



TYPE-2, T2030242201-002, STAINLESS STEEL SCREW, NO LOGO
 类型-2, T2030242201-002, 不锈钢螺丝, 无LOGO

T2030242201-002	HDD-024-F	HDD-024 FEMALE INSERT, CRIMPING SPLIT TYPE, STAINLESS STEEL SCREW, NO LOGO HDD-024 母插, 冷压针分体式, 不锈钢螺丝, 无LOGO	TYPE-2 类型-2
T2030242201-000	HDD-024-F	HDD-024 FEMALE INSERT, CRIMPING SPLIT TYPE HDD-024 母插, 冷压针分体式	TYPE-1 类型-1
PART NUMBER 料号	PART DESCRIPTION 描述		TYPE 类型

ALL DIMENSIONS ARE SAME AS TYPE 1,
 EXCEPT THOSE DEFINED IN THIS TYPE.
 除了在本类型中定义的尺寸外, 其它尺寸同类型 1

THIS DRAWING IS A CONTROLLED DOCUMENT.		DWN DAVID LI 16MAR2015		
		CHK CHRIS WANG 16MAR2015		
		APVD XU XIANG 16MAR2015	NAME HDD-024-F	
DIMENSIONS: mm		PRODUCT SPEC 108-137043		
TOLERANCES UNLESS OTHERWISE SPECIFIED:		APPLICATION SPEC 114-137043		
0 PLC ±- 1 PLC ±- 2 PLC ±- 3 PLC ±- 4 PLC ±- ANGLES ±-		WEIGHT -	SIZE A3	CAGE CODE -
MATERIAL -		FINISH -	DRAWING NO T2030242201000	
		CUSTOMER DRAWING		RESTRICTED TO
		SCALE 1:1		SHEET 2 OF 2
				REV C

printed on 27 Jul 2021 16:15 (China Standard Time) from TE236667