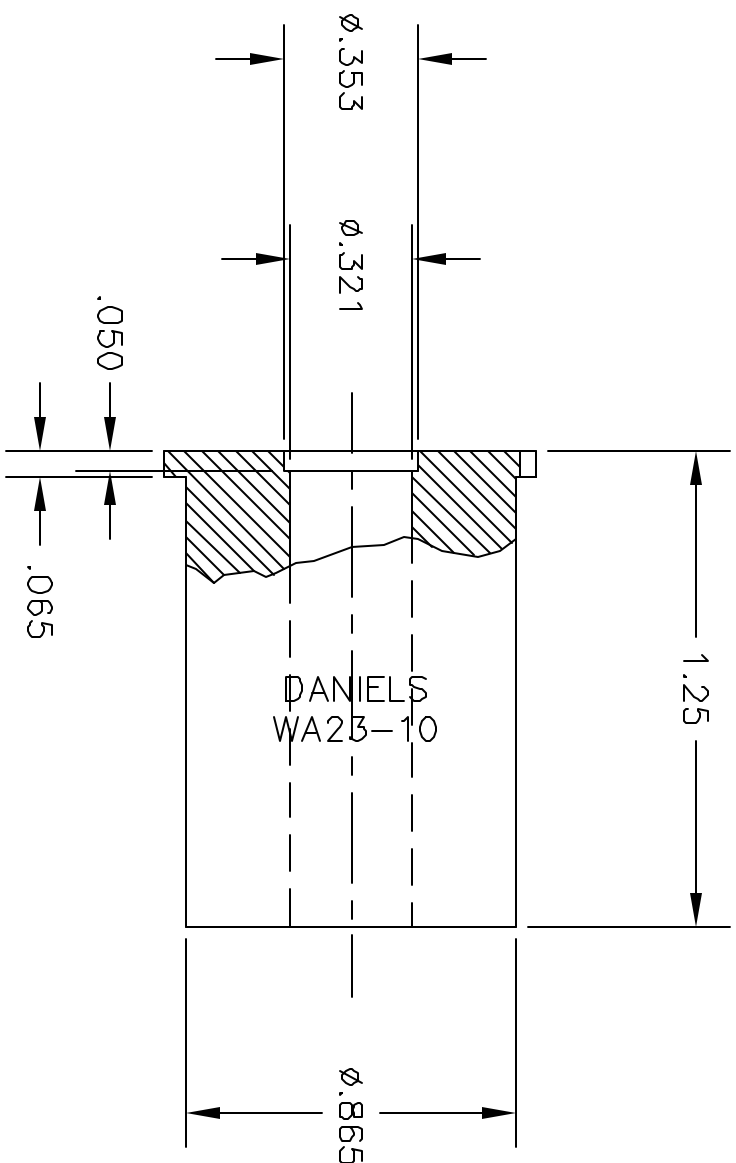
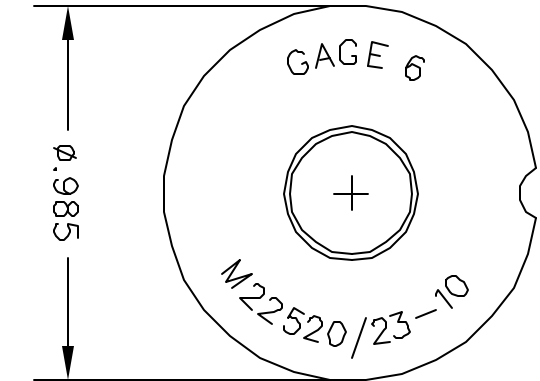


**UNCONTROLLED DOCUMENT  
WILL NOT BE UPDATED**

REV. SYM.		E.C.O. NUMBER	DESCRIPTION	BY DATE	APP'D DATE
1			ORIGINAL RELEASE	JMU 3/22/04	RRR 3/22/04

REVISIONS



**RESTRICTED & CONFIDENTIAL**

CONFIDENTIAL PROPERTY OF DANIELS MANUFACTURING CORP. NOT TO BE DISCLOSED TO OTHERS, REPRODUCED OR USED FOR ANY OTHER PURPOSE, EXCEPT AS AUTHORIZED IN WRITING BY DANIELS MANUFACTURING. MUST BE RETURNED TO DANIELS MANUFACTURING CORP. ON COMPLETION OF ORDER OR OTHER PURPOSE FOR WHICH LENT.

MATERIAL	HEAT TREAT	FINISH

**DO NOT SCALE DRAWING**

ITEM	PART NO.	QTY.	DESCRIPTION/REMARKS
DRN. J. JOYCE	DATE 3/22/04		
CHK'D. RRR	DATE 3/22/04		
APP'D.	DATE		
APP'D.	DATE		

**NOTE:**

THIS DRAWING IS AN OUTLINE DRAWING OF THE RESPECTIVE DMG PART NUMBER INDICATED. ACTUAL DMG PART NUMBER IS DRAWING NUMBER WITHOUT THE "-ENV" SUFFIX.

**WHERE USED:**

SIZE	SCALE	CAD P/N	SHEET OF
A	NTS	WA23-10-ENV	1
		DMG. NO. WA23-10-ENV	1



DANIELS MANUFACTURING CORP.  
ORLANDO, FLORIDA  
CAGE 11851

LOCATOR  
ENVELOPE DRAWING