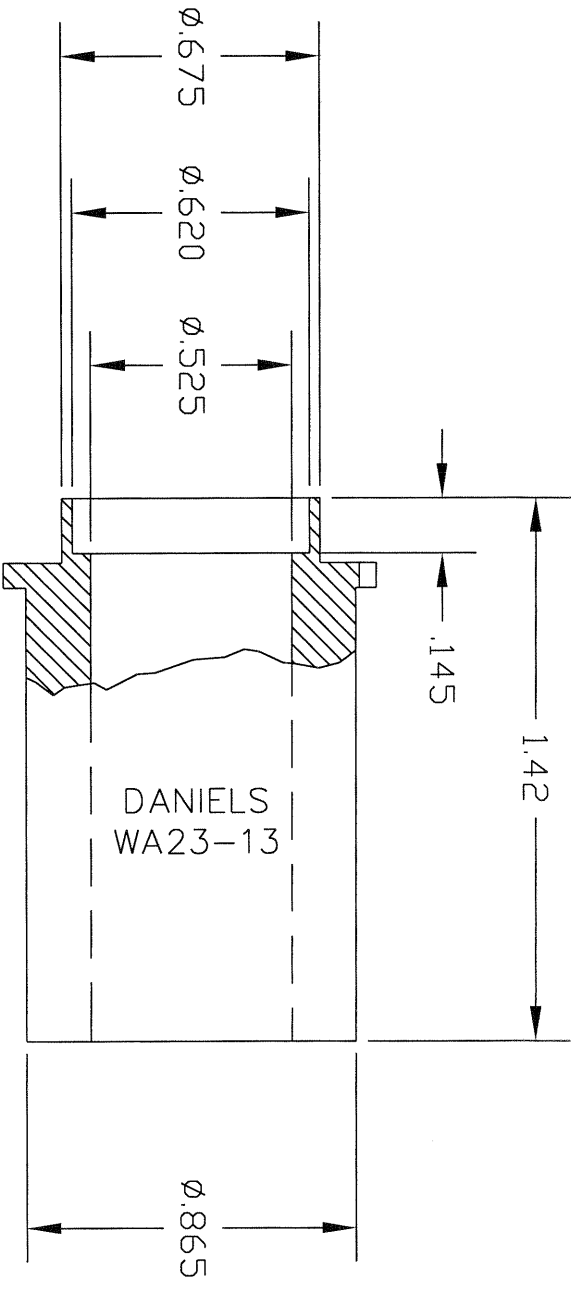
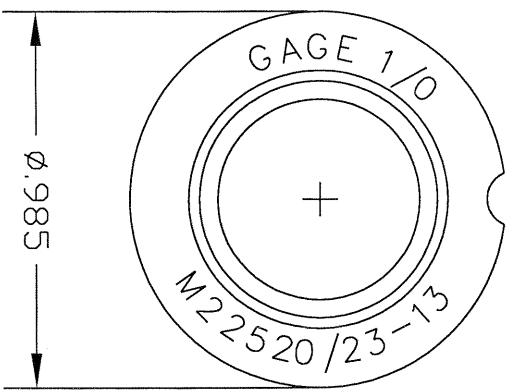


**UNCONTROLLED DOCUMENT
WILL NOT BE UPDATED**

REVISIONS				
REV. SYM.	E.C.O. NUMBER	DESCRIPTION	BY DATE	APP'D DATE
1		ORIGINAL RELEASE	B. CAPERS 02/10/97	DE 02/97



RESTRICTED & CONFIDENTIAL

CONFIDENTIAL PROPERTY OF DANIELS MANUFACTURING CORP. NOT TO BE DISCLOSED TO OTHERS, REPRODUCED OR USED FOR ANY OTHER PURPOSE, EXCEPT AS AUTHORIZED IN WRITING BY DANIELS MANUFACTURING. MUST BE RETURNED TO DANIELS MANUFACTURING CORP. ON COMPLETION OF ORDER OR OTHER PURPOSE FOR WHICH LENT.

MATERIAL	HEAT TREAT	FINISH
ITEM	PART NO.	QTY.
DRN. B. CAPERS	DATE 2/10/97	DESCRIPTION/REMARKS
CHK'D. DE	DATE 2/97	
APP'D.	DATE	
APP'D.	DATE	

DO NOT SCALE DRAWING

NOTE: THIS DRAWING IS AN OUTLINE DRAWING OF THE RESPECTIVE DMC PART NUMBER INDICATED. ACTUAL DMC PART NUMBER IS DRAWING NUMBER WITHOUT THE "-ENV" SUFFIX.

WHERE USED:	CAD P/N	SHEET	OF
SIZE A	SCALE NTS	WA23-13-ENV	1
POSTING	DWG. NO.	WA23-13-ENV	1

DMC
DANIELS MANUFACTURING CORP.
ORLANDO, FLORIDA
CAGE 11851

TITLE: LOCATOR ENVELOPE DRAWING