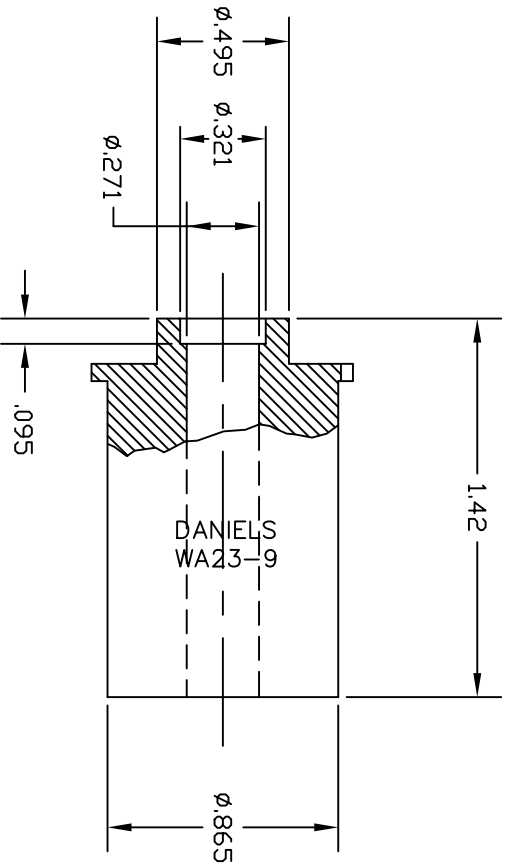
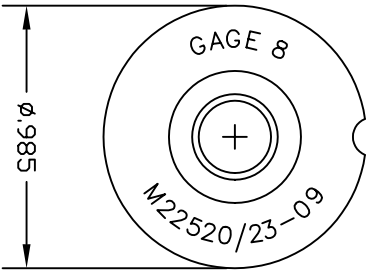


| REVISIONS | | | |
|-----------|---------------|------------------|----------------------------|
| REV. SYM. | E.C.O. NUMBER | DESCRIPTION | BY DATE |
| 1 | | ORIGINAL RELEASE | JMU 2/22/00 RRR 2/22/00 |



**UNCONTROLLED DOCUMENT
WILL NOT BE UPDATED**

| | | | | | | | | | | | |
|--|--|------------|--|--|--|-----------------------------|--|-----------------------|--|---|--|
| <p style="text-align: center;">RESTRICTED & CONFIDENTIAL</p> <p style="text-align: center; font-size: small;">CONFIDENTIAL PROPERTY OF DANIELS MANUFACTURING CORP. NOT TO BE DISCLOSED TO OTHERS, REPRODUCED OR USED FOR ANY OTHER PURPOSE, EXCEPT AS AUTHORIZED IN WRITING BY DANIELS MANUFACTURING. MUST BE RETURNED TO DANIELS MANUFACTURING CORP. ON COMPLETION OF ORDER OR OTHER PURPOSE FOR WHICH SENT.</p> | | MATERIAL | | ITEM | | PART NO. | | QTY. | | DESCRIPTION/REMARKS | |
| | | FINISH | | DRG. J. JOYCE 2/22/00 CHK'D. RRR 2/22/00 APP'D. DATE | | DATE | | DATE | | DANIELS MANUFACTURING CORP. ORLANDO, FLORIDA CAGE 11851 | |
| DO NOT SCALE DRAWING | | HEAT TREAT | | NOTE: THIS DRAWING IS AN OUTLINE DRAWING OF THE RESPECTIVE MANUFACTURING PART NUMBER INDICATED. THE PART NUMBERING PART NUMBER IS DRAWING NUMBER WITHOUT THE "-ENV" SUFFIX. | | TITLE | | WHERE USED: | | SHEET OF | |
| | | | | | | LOCATOR ENVELOPE DRAWING | | CAD P/N WA23-9-ENV | | 1 OF 1 | |
| | | | | | | | | REV. 1 | | 1 | |