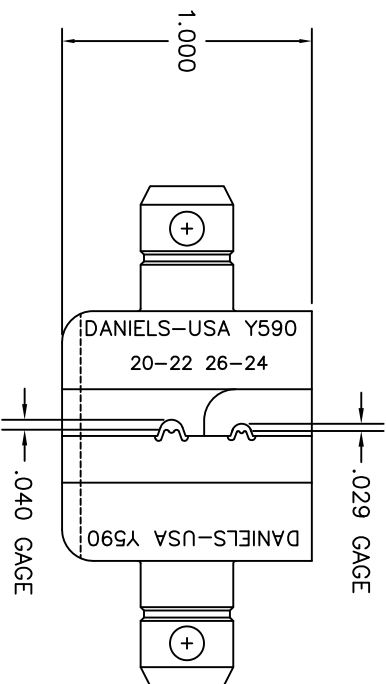
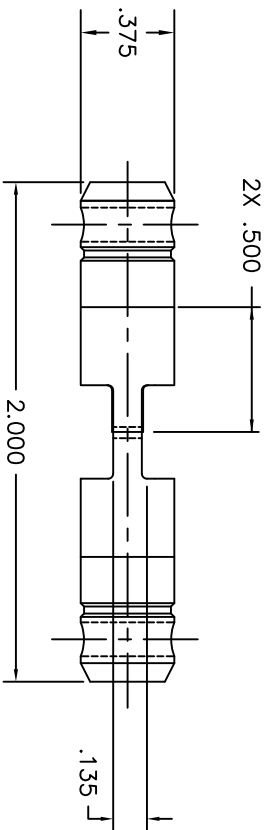


REVISIONS				
REV. NUMBER	E.C.O. NUMBER	DESCRIPTION	BY DATE	APP'D DATE
1		ORIGINAL RELEASE	JMM 8/29/07	RRR 8/29/07



UNCONTROLLED DOCUMENT
WILL NOT BE UPDATED

RESTRICTED & CONFIDENTIAL		MATERIAL		ITEM		PART NO.		QTY.		DESCRIPTION/REMARKS	
CONFIDENTIAL PROPERTY OF DANIELS MANUFACTURING CORP. NOT TO BE DISCLOSED TO OTHERS, REPRODUCED OR USED FOR ANY OTHER PURPOSE, EXCEPT AS AUTHORIZED IN WRITING BY DANIELS MANUFACTURING CORP. ON COMPLETION OF ORDER OR OTHER PURPOSE FOR WHICH LENT.		FINISH		DRN.	J. JOYCE	DATE	8/29/07	DRN.	J. JOYCE	DATE	8/29/07
HEAT TREAT		CHK'D.	RRR	DATE	8/29/07	APP'D.	RRR	DATE	8/29/07	NOTE: THIS DRAWING IS AN OUTLINE DRAWING OF THE RESPECTIVE DIM PART NUMBER AND PART NUMBER FOR WING PART NUMBER WITHOUT THE "-ENV" SUFFIX.	
DO NOT SCALE DRAWING		WHERE USED:		SIZE		SCALE		CAD P/N		SHEET OF	
		B		NTS		Y590-ENV		Y590-ENV		1 OF 1	
		POSTING		DWC. NO.		Y590-ENV		REV.		1	
		DIE SET ENVELOPE DRAWING		DANIELS MANUFACTURING CORP. ORLANDO, FLORIDA CASE 11691							