

Coaxial, High Directivity

Directional Coupler

ZHDC-Model Series

50Ω 10 and 16 dB Coupling 50 to 6000 MHz

The Big Deal

- High directivity, up to 33 dB
- Wideband, 50 to 6000 MHz
- Excellent coupling flatness



CASE STYLE: FM1918

Product Overview

Mini-Circuits' ZHDC-series high-directivity directional couplers provide outstanding directivity and excellent coupling flatness from 50 to 6000 MHz, making them low cost solutions for S-parameter measurements and intermodulation measurements as well as other test and system applications. Available in different coupling values to meet different requirements, they come housed in an aluminum alloy case (2.5 x 1.4 x 0.88") with SMA connectors at all ports.

Feature	Advantages
High directivity, up to 33 dB	High directivity allows accurate signal sampling through the coupled port with minimal measurement error.
Wideband, 50 to 6000 MHz	One device supports a broad range of system and test lab applications.
Flat coupling, ± 0.45 dB	Provides consistent coupling performance across frequency.
Good VSWR. 1.2:1 typ.	Well-matched for 50Ω systems.
Small size, 2.5 x 1.4 x 0.88"	Saves space in crowded spaces and dense system layouts.

Notes

- A. Performance and quality attributes and conditions not expressly stated in this specification document are intended to be excluded and do not form a part of this specification document.
B. Electrical specifications and performance data contained in this specification document are based on Mini-Circuit's applicable established test performance criteria and measurement instructions.
C. The parts covered by this specification document are subject to Mini-Circuits standard limited warranty and terms and conditions (collectively, "Standard Terms"); Purchasers of this part are entitled to the rights and benefits contained therein. For a full statement of the Standard Terms and the exclusive rights and remedies thereunder, please visit Mini-Circuits' website at www.minicircuits.com/MCLStore/terms.jsp



Coaxial, High Directivity Directional Coupler

ZHDC-10-63-S+

50Ω 10 dB Coupling 50 to 6000 MHz

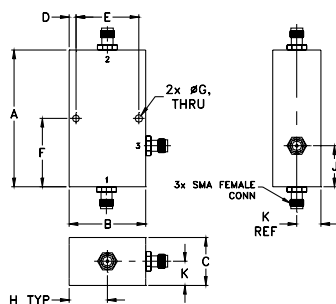
Maximum Ratings

Operating Temperature	-40°C to 85°C
Storage Temperature	-55°C to 100°C

Coaxial Connections

INPUT	1
OUTPUT	2
COUPLED	3

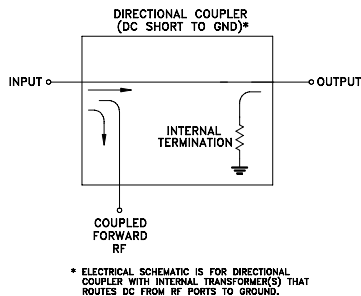
Outline Drawing



Outline Dimensions (inch/mm)

A	B	C	D	E	F
2.50	1.4	0.88	0.13	1.15	1.25
63.50	35.56	22.35	3.30	29.21	31.75
G	H	J	K	wt	
0.14	0.7	0.75	0.44	grams	
3.56	17.78	19.05	11.18	100.0	

Electrical Schematic



Features

- wideband, 50 to 6000 MHz
- high directivity, 33 dB typ.
- flat coupling, ±0.3 dB typ.
- good VSWR, 1.20:1 typ.

Applications

- military defense
- test and measurement



Generic photo used for illustration purposes only
CASE STYLE: FM1918

Connectors	Model
SMA	ZHDC-10-63-S+

+RoHS Compliant

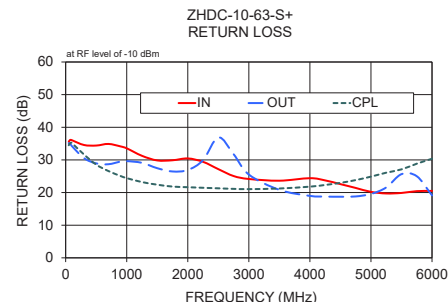
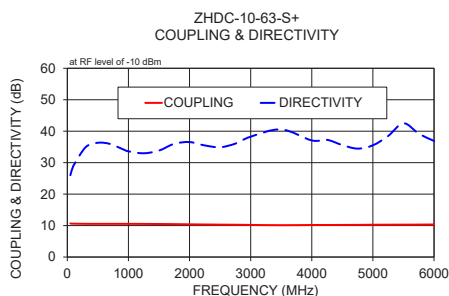
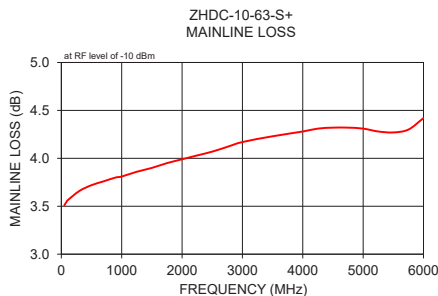
The +Suffix identifies RoHS Compliance. See our web site for RoHS Compliance methodologies and qualifications

Electrical Specifications at 25°C

Parameter	Condition (MHz)	Min.	Typ.	Max.	Unit	
Frequency Range		50	—	6000	MHz	
Mainline Loss	50 - 6000	—	4.0	5.1	dB	
Coupling	50 - 6000	9.7	10.2	11.2	dB	
Coupling Flatness(±)	50 - 6000	—	0.3	0.7	dB	
Directivity	50	24	26	—	dB	
	700	30	36	—		
	2750	25	32	—		
Directivity	6000	25	35	—	dB	
	50 - 6000	—	19	—		dB
	50 - 6000	—	18	—		dB
Return Loss (Output)	50 - 6000	—	19	—	dB	
Return Loss (Coupling)	50 - 6000	—	—	—	dB	
Input Power	50 - 6000	—	—	1.0	W	

Typical Performance Data

Frequency (MHz)	Mainline Loss (dB) In-Out	Coupling (dB) In-Cpl	Directivity (dB)	Return Loss (dB)		
				In	Out	Cpl
50.00	3.51	10.66	26.02	35.54	35.13	34.49
100.00	3.56	10.60	29.02	36.05	34.27	35.21
500.00	3.72	10.55	36.33	34.40	28.94	28.56
1000.00	3.81	10.55	33.61	33.55	29.63	24.42
2000.00	3.99	10.40	36.55	30.45	26.92	21.64
2750.00	4.12	10.27	36.06	25.06	31.76	21.13
3000.00	4.17	10.21	38.26	24.16	25.51	21.05
3500.00	4.23	10.13	40.57	23.63	20.83	21.24
4000.00	4.28	10.19	37.07	24.40	18.98	21.81
5000.00	4.31	10.27	35.53	20.21	19.58	24.88
6000.00	4.42	10.35	36.91	20.50	19.13	30.36



Notes

- Performance and quality attributes and conditions not expressly stated in this specification document are intended to be excluded and do not form a part of this specification document.
- Electrical specifications and performance data contained in this specification document are based on Mini-Circuit's applicable established test performance criteria and measurement instructions.
- The parts covered by this specification document are subject to Mini-Circuits standard limited warranty and terms and conditions (collectively, "Standard Terms"); Purchasers of this part are entitled to the rights and benefits contained therein. For a full statement of the Standard Terms and the exclusive rights and remedies thereunder, please visit Mini-Circuits' website at www.minicircuits.com/WCLStore/terms.jsp



www.minicircuits.com P.O. Box 350166, Brooklyn, NY 11235-0003 (718) 934-4500 sales@minicircuits.com

REV. C
M171494
ED-14849A
ZHDC-10-63-S+
DJ/CP/AM
190111
Page 2 of 2