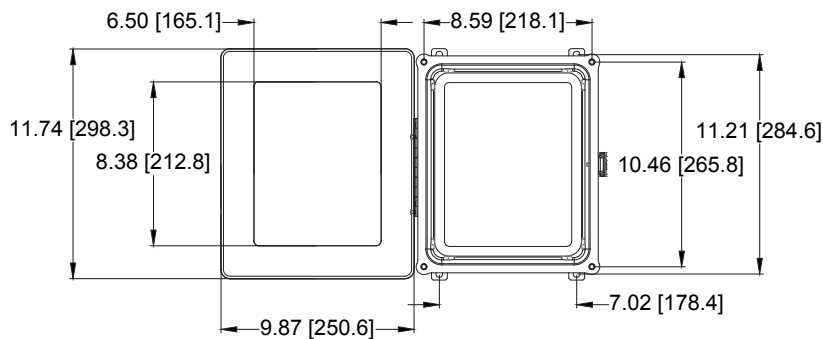
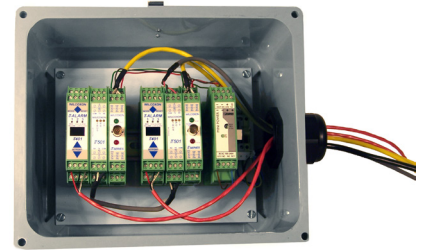


Transmitter enclosures

iT series

SPECIFICATIONS

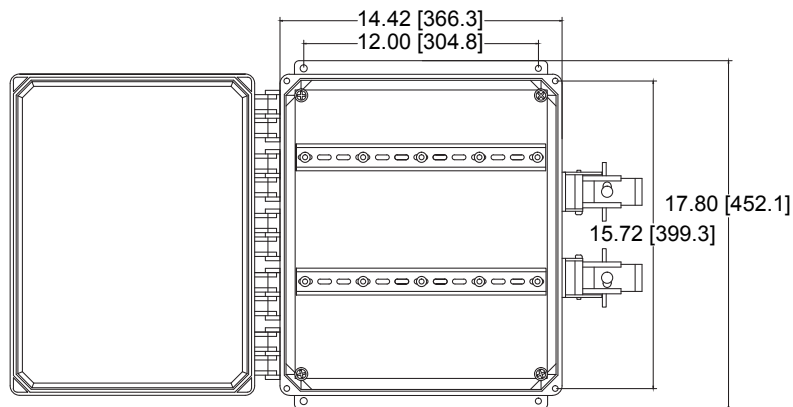
Output location	specify
Material	fiberglass
Temperature range	-40° to +130°C (-40° to +266°F)
Rating	NEMA 4X/IP66
Hinge	stainless steel continuous weld
Latch	stainless steel butterfly knob
Input/output fittings, user-specified	cable grips or conduit
Mounting	4 configurable stainless steel feet



Models iT051 / iT051C

Key features

- Houses alarm modules
- Two sizes and clear viewing window (iT051C) available
- NEMA 4X rated
- Manufactured in ISO 9001 facility



Model iT052

Available models			
Model	Size	Module storage	Description
iT051	10x8x6"	7	Single DIN rail enclosure
iT051C	10x8x6"	7	Single DIN rail enclosure, clear window on door
iT052	16x14x8"	25	Dual DIN rail enclosure



Note: Due to continuous process improvement, specifications are subject to change without notice. This document is cleared for public release.