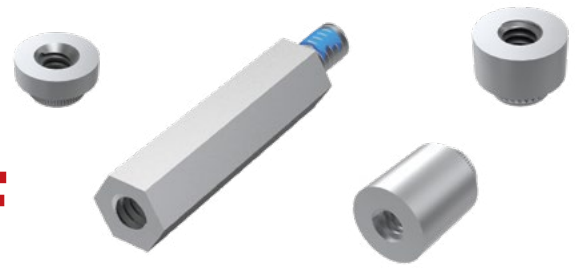


# PRECISION BOARD STACKING STANDOFF



## SO SERIES

### SPECIFICATIONS

**Material:**  
Aluminum  
**Locking Compound:**  
Nylon



**Specify BOARD STACKER from chart**

**-01**  
= Female Thread/Press-In (-0515 thru -0865 only)

**-02**  
= Male/Male Thread (-0515 and -1115 thru -2515 only)

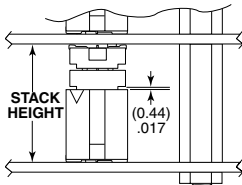
**-03**  
= Male/Female Thread (-0815 thru -2515 only)

**-05**  
= Female/Female Thread (-1524 thru -2515 only)

**-01**  
= #4-40 Thread  
**-02**  
= M3 x 0.5 Thread

**-L**  
= -02 & -03 Lead Style thread locking compound (Leave blank for -01 Lead Style)

### INDUSTRY STANDARD SOLUTIONS



Requires Standoff  
SO-1524-03-01-01-L or  
JSOM-1524-02 for 15.24 mm  
or SO-2215-02-01-01-L  
for 22 mm board spacing.  
Connectors designed to not  
fully seat when mated.

For more information on the JSOM,  
visit [samtec.com?JSOM](http://samtec.com?JSOM)

INDUSTRY STANDARD	INTERCONNECTS			
	TERMINAL	SOCKET	BANKS	STACK HEIGHT
SUMIT™	ASP-129637-01	ASP-129646-01	1	15.24 mm
PCI/104-Express™	ASP-129637-03	ASP-129646-03	3	15.24 mm
PCI/104-Express™	ASP-129637-13	ASP-129646-22	1	15.24 mm
PCI/104-Express™	ASP-142781-01	ASP-129646-01	1	22 mm
PCI/104-Express™	ASP-142781-02	ASP-129646-02	2	22 mm
PCI/104-Express™	ASP-142781-03	ASP-129646-03	3	22 mm

BOARD STACKER	A	BOARD STACK HEIGHT
-0515	(5.15) .203	5 mm
-0715	(7.15) .282	7 mm
-0815	(8.15) .321	8 mm
-0865	(8.65) .341	8.5 mm
-1115	(11.15) .439	11 mm
-1215	(12.15) .478	12 mm
-1524	(15.24) .600	15.09 mm
-1615	(16.15) .636	16 mm
-1890	(18.90) .744	18.75 mm
-1915	(19.15) .754	19 mm
-2515	(25.15) .990	25 mm

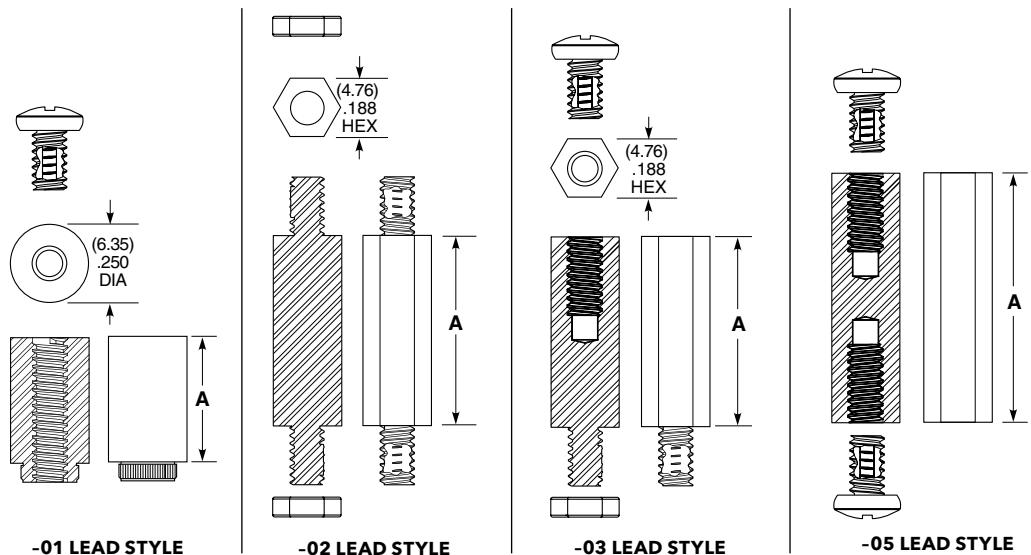
### ALSO AVAILABLE

MOQ Required

Other heights  
Stainless Steel  
Locking compound removed  
Other materials and threading  
No Hardware

**Notes:**  
Standoffs are designed,  
0.15 mm longer than  
connector stack heights to  
allow for processing variables.

Some sizes, styles and  
options are non-standard,  
non-returnable.



Components are to be packaged in separate bags unassembled.