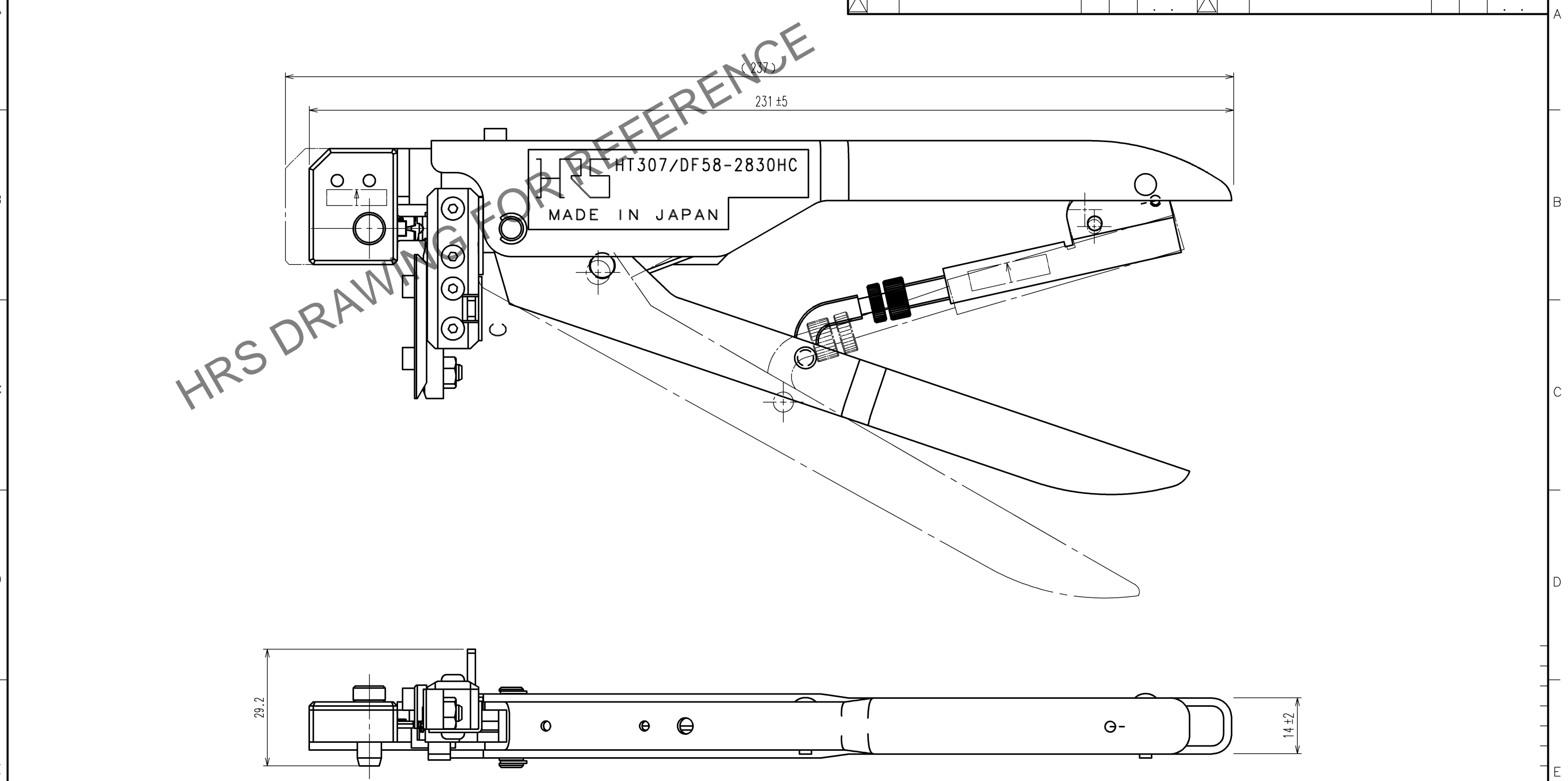
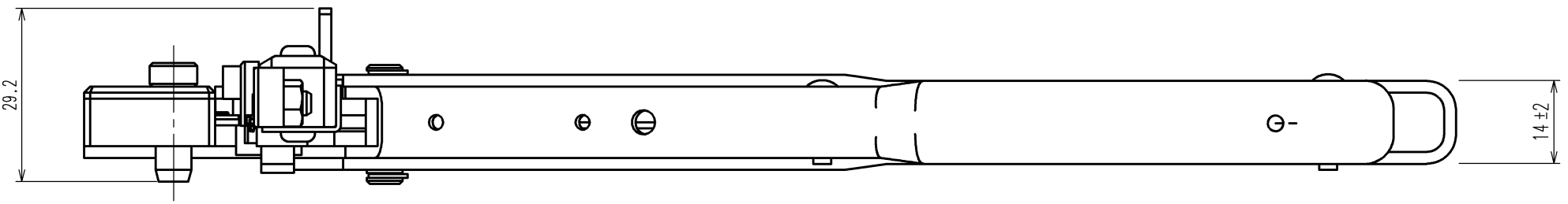


May.1.2024 Copyright 2024 HIROSE ELECTRIC CO., LTD. All Rights Reserved.
In case of consideration for using Automotive equipment / device which demand high reliability, kindly contact our sales window



COUNT	DESCRIPTION OF REVISIONS	BY	CHKD	DATE	COUNT	DESCRIPTION OF REVISIONS	BY	CHKD	DATE
△				..	△				..
△				..	△				..
△				..	△				..



NOTE 1 . This drawing shows Handtool for DF58-2830SCF contact (CL666-1011-0).

NO.	MATERIAL	FINISH, REMARKS	NO.	MATERIAL	FINISH, REMARKS
2			4		
1			3		

CODE NO. (OLD)	CL?	DRAWN	DESIGNED	CHECKED	APPROVED	RELEASED
		M. TAKAHASHI	M. TAKAHASHI	H. TOKUTA	T. ITO	..
		16.11.1	16.11.1	16.11.5	16.11.5	..

SCALE	DRAWING NO.	PART NO.
1 : 1	EDC3-285284	HT307/DF58-2830HC
UNITS	HRS HIROSE ELECTRIC CO., LTD	CODE NO.
mm		CL902-4671-0

TO
PE

1/1